

**PLAN RECORD**

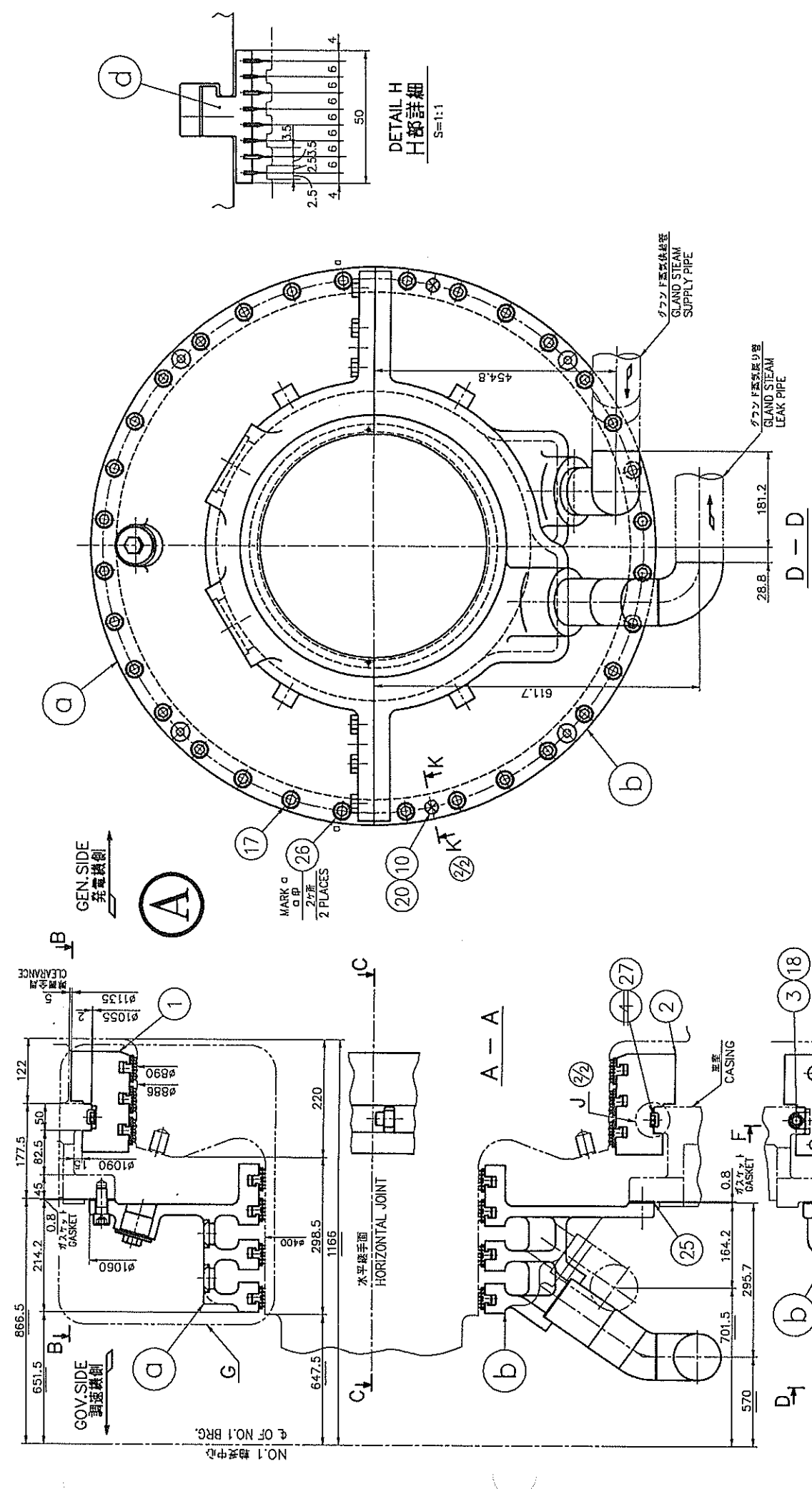
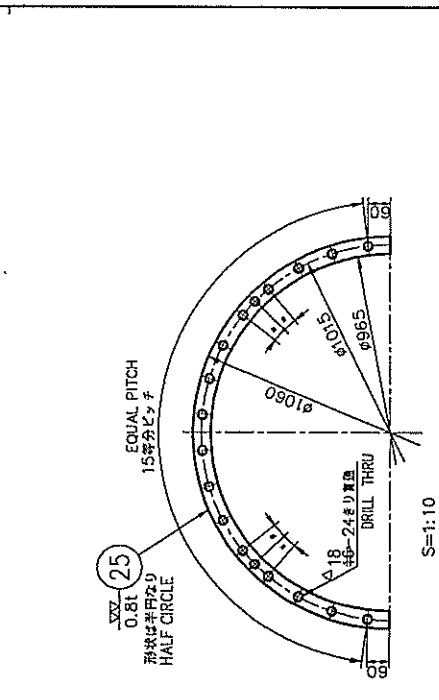
REVISONS  
NO. DESCRIPTION (DATE)

ZONE-  
MA-  
PRV-D

ISO METRIC SCREW THREADS

PREVIOUS DRAWING NO.

042957 KENYA/OLKARIA 1,2T R  
に改訂す。



N26-T20-2915

NO.	QTY	UNIT	DESCRIPTION	REMARKS
1	1	SET	PACKING RING ASSY	φ1055
2	1	SET	PACKING RING ASSY	φ1080
3	1	SET	VAPOR HOOD (LOWER HALF)	φ1080
4	1	SET	VAPOR HOOD (UPPER HALF)	φ1080
5	1	SET	CENTER GUIDE KEY	φ27
6	1	SET	SOCKET HEAD BOLT M20x40	(18ヶ所)
7	1	SET	GASKET	(2ヶ所)
8	1	SET	WASHER M20	(2ヶ所)
9	1	SET	WASHER M30	(2ヶ所)
10	1	SET	SET SCREW M6x14	(2ヶ所)
11	1	SET	SET SCREW M8x10	(2ヶ所)
12	1	SET	PIN	(2ヶ所)
13	1	SET	TAPER PIN 13x40	(2ヶ所)
14	1	SET	SOCKET HEAD BOLT M16x40	(18ヶ所)
15	1	SET	SOCKET HEAD BOLT M20x50	(17ヶ所)
16	1	SET	BOLT M20x50	(16ヶ所)
17	1	SET	BOLT M30x125	(14ヶ所)
18	1	SET	GASKET	(13ヶ所)
19	1	SET	PLUG M56x2	(12ヶ所)
20	1	SET	TAPER PIN 13x130	(11ヶ所)
21	1	SET	BUSH	(10ヶ所)
22	1	SET	STOPPER PIN φ6x98	(9ヶ所)
23	1	SET	STOPPER PIN φ6x122	(8ヶ所)
24	1	SET	STOPPER PIN φ6x164	(7ヶ所)
25	1	SET	PLATE SPRING	(6ヶ所)
26	1	SET	PLATE SPRING	(5ヶ所)
27	1	SET	STOPPER PIN φ6x164	(4ヶ所)
28	1	SET	STOPPER PIN φ6x98	(3ヶ所)
29	1	SET	STOPPER PIN φ6x122	(2ヶ所)
30	1	SET	STOPPER PIN φ6x164	(1ヶ所)

**FORE GLAND PACKING 1/2  
IM-N26-T20-2915**

FORE GLAND PACKING ASSY  
前部グランド組立

LAND TURBINE DESIGNING SEC.  
POWER PLANT ENG. DEPT.

DATE: / /

SCALE: 1:5

REV. NO.

3rd-LEVEL  
CHECKER

DESIGNED BY

DESIGNED BY

DWG. NAME: N26-T20-2915-P01-R03

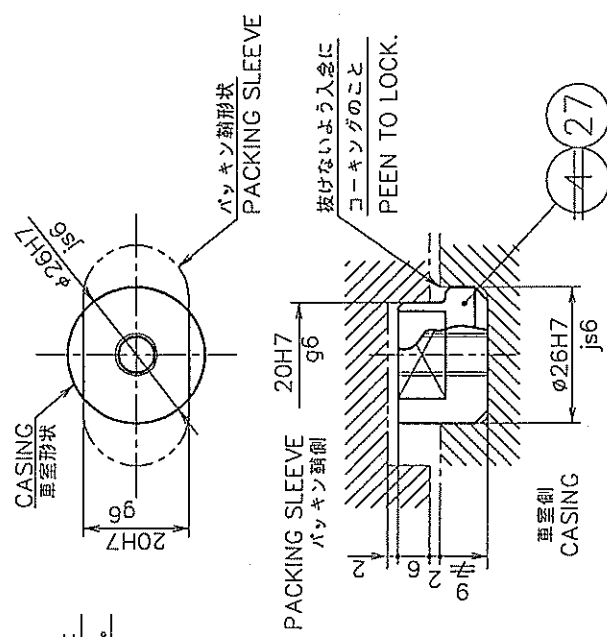
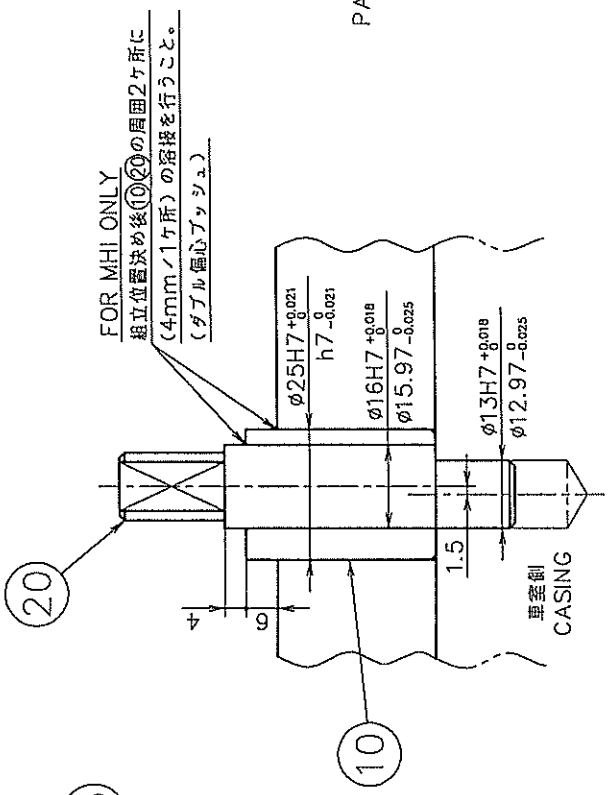
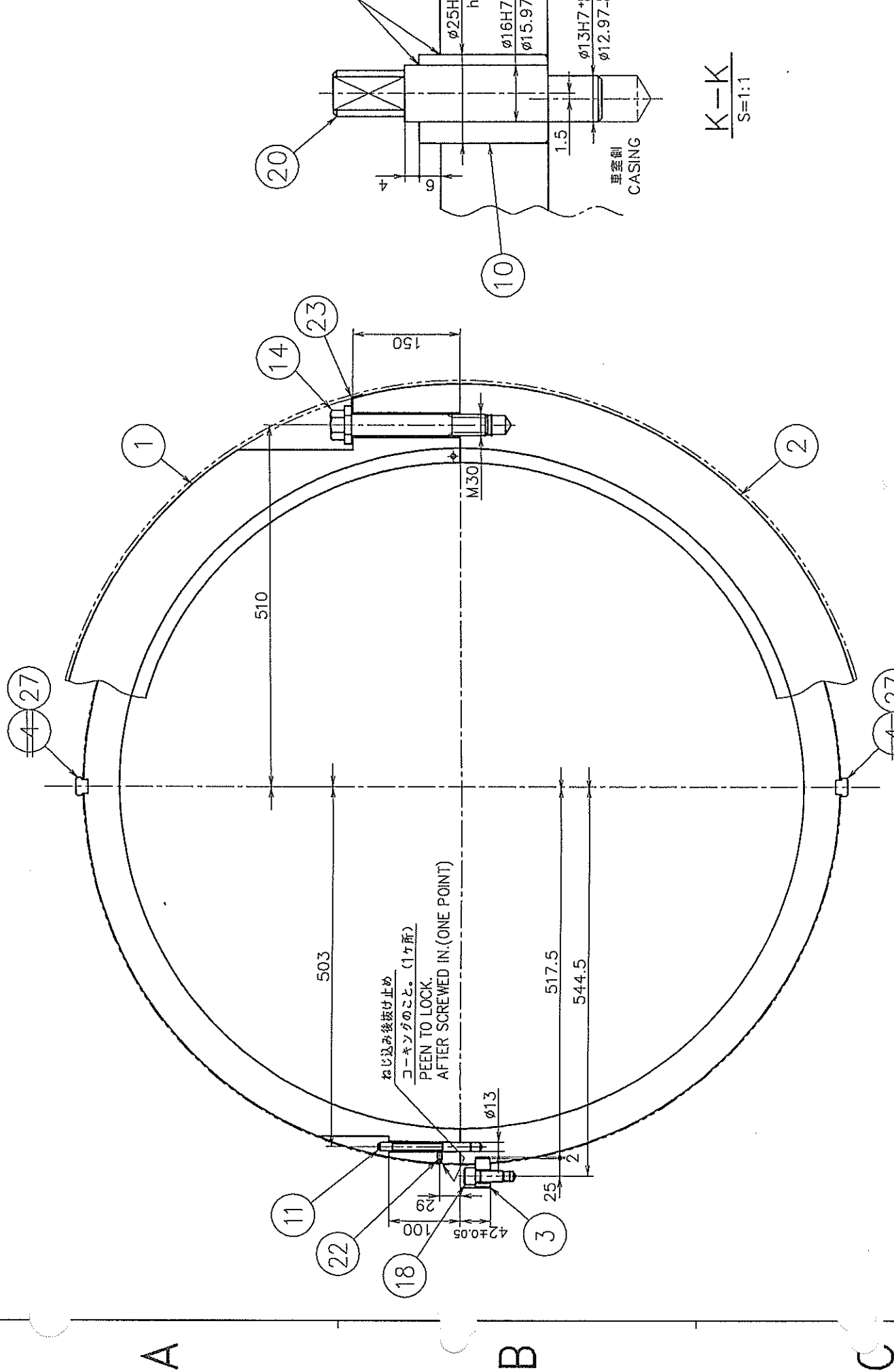
SYSTEM: Auto-CAD R13J

ISSUED

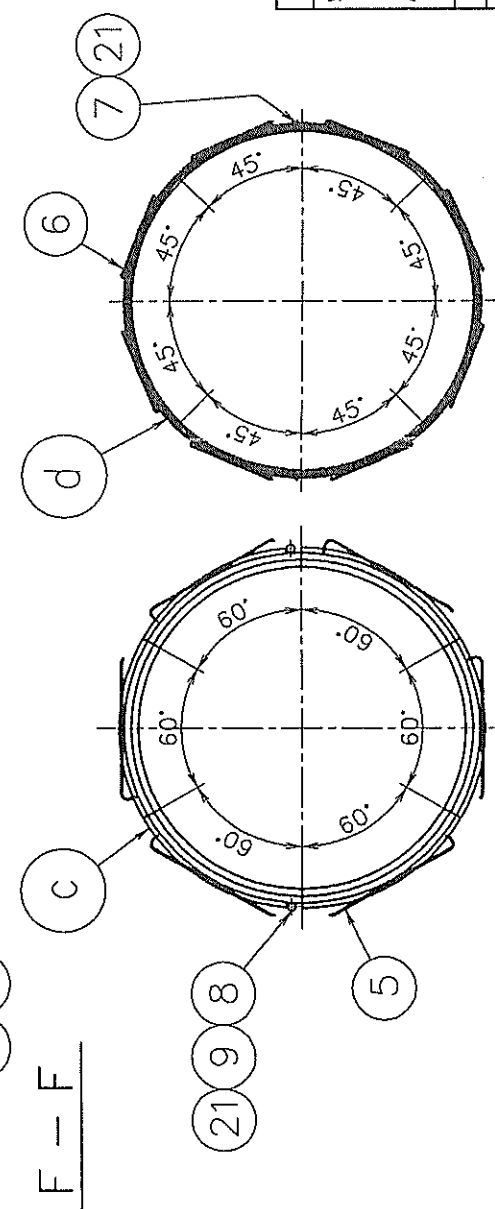
2000.12.5

MITSUBISHI HEAVY INDUSTRIES, LTD.  
NAGASAKI SHIPYARD & MACHINERY WORKS

PLAN RECORD	
NO.	REVISIONS DESCRIPTION (DATE)
ZONE	APPROVED
CHECKED	
ISO METRIC SCREW THREADS	
PREVIOUS DRAWING NO.	
04266.7 KENYA/OLKARIA 1,2T 用	
に設計した。	



DETAIL J  
CENTER GUIDE KEY DETAIL  
S=1:1



PACKIG RING ASS'Y  
パッキン環組立取付

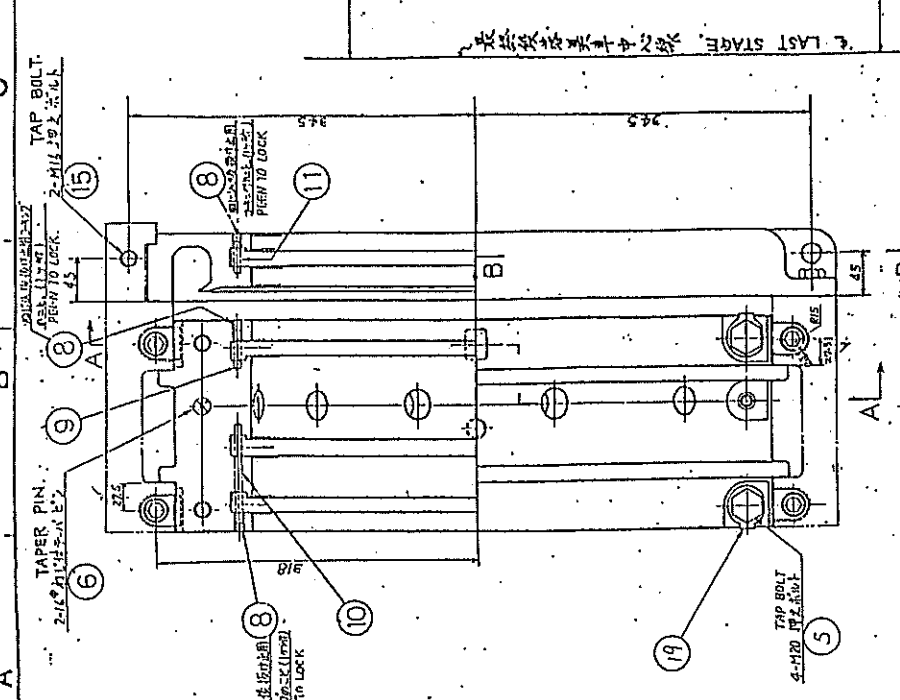
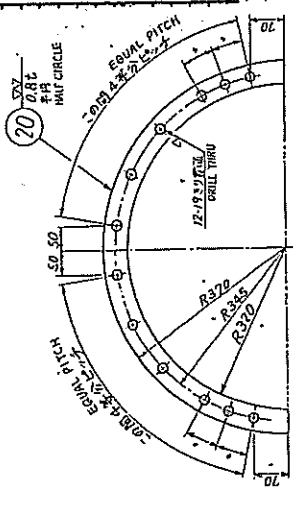
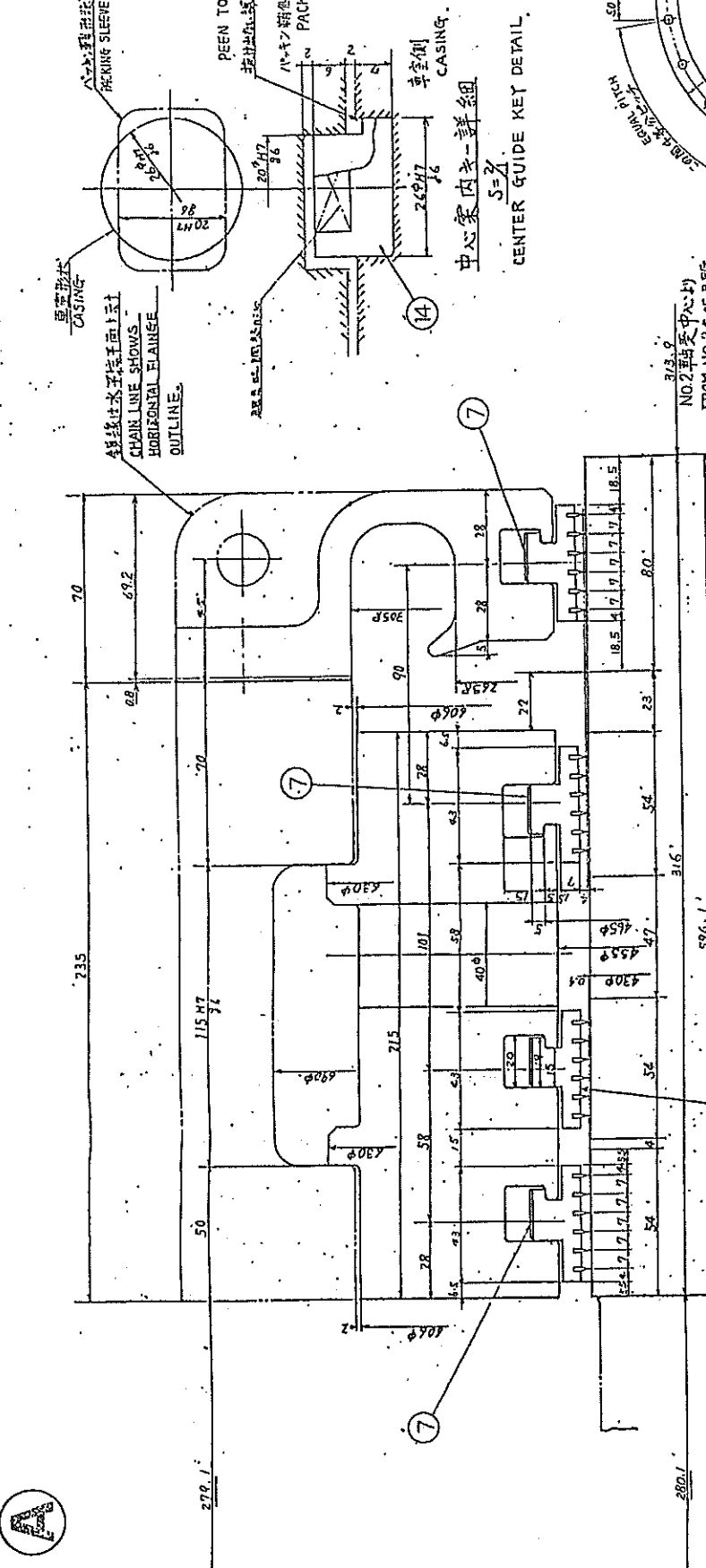
FORE GLAND PACKING 2/2  
IM-N26-T20-2915

LAND TURBINE DESIGNING SEC. POWER PLANT ENG. DEPT.	REV. NO. N26-T20-2915
APPROVED	3rd-ANGLE PROJECTOR (三角度)
CHECKED	DRAWING NO.
DRAWN	REV. NO.
SCALE 1:1.5	REV. NO.
ORDER	REV. NO.
FORE GLAND PACKING ASS'Y	
前部グランド組立 (2/2)	
MITSUBISHI HEAVY INDUSTRIES, LTD.	
NAGASAKI SHIPYARD & MACHINERY WORKS	

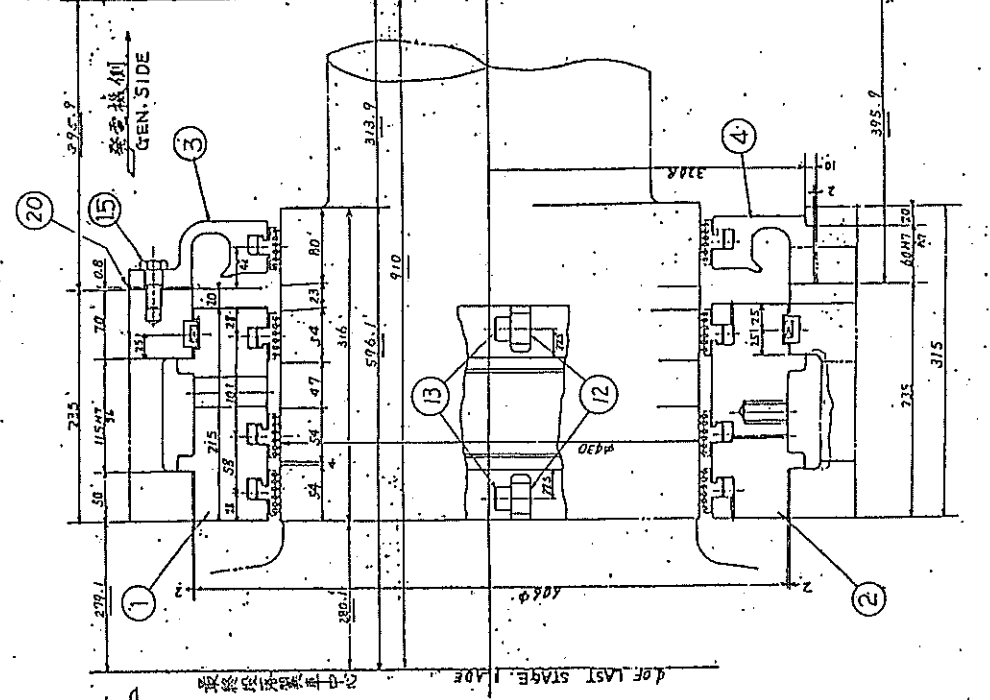
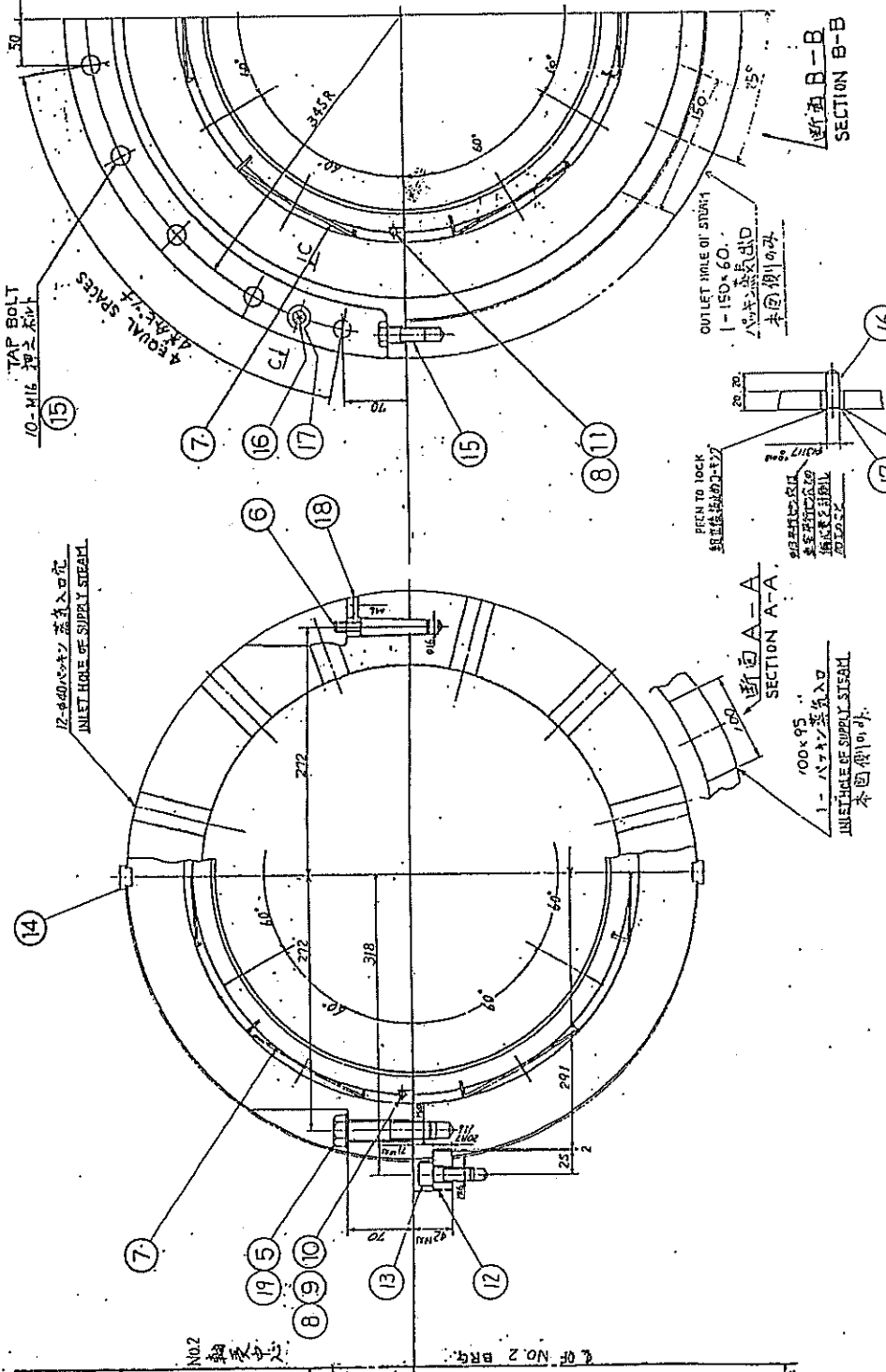
DWG NAME	N26-T20-2915-P02-R02
SYSTEM	Auto-CAD R13J
DRAWN 2000.12.5 ISSUED	
Full CAD Partial CAD	

J  
H  
G  
F  
E  
D  
C  
B  
A

ISO METRIC SCREW THREADS  
 公制等径螺絲  
 規格 JIS B 0202  
 日本工業規格  
 等径螺絲 (ISO 2618)



NO.2 軸交中心  
 FROM NO.2 軸交中心



IM-N26-T20-2924

NO.	品名	規格	数量	単位	備考
1	蓋形材	2010	1	個	
2	パッキン筒	2010	1	個	
3	車空側	2010	1	個	
4	中心案内キー	2010	1	個	
5	鉋ボルト	2010	1	個	
6	錐ピン	2010	1	個	
7	フランジ	2010	1	個	
8	蒸気入口孔	2010	1	個	
9	蒸気出口孔	2010	1	個	
10	等間隙	2010	1	個	
11	鉋削り止	2010	1	個	
12	断面 A-A	2010	1	個	
13	断面 B-B	2010	1	個	
14	軸交中心 NO.2	2010	1	個	
15	鉋ボルト	2010	1	個	
16	錐ピン	2010	1	個	
17	フランジ	2010	1	個	
18	蒸気入口孔	2010	1	個	
19	蒸気出口孔	2010	1	個	
20	等間隙	2010	1	個	

AFTER GLAND PACKING  
 IM-N26-T20-2924

後部  
 ガランドパッキング組立

IM-N26-T20-2924