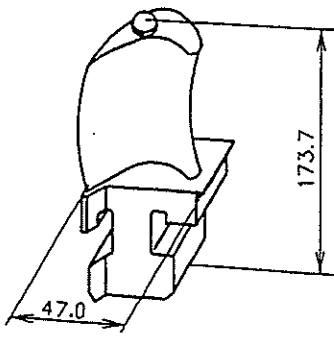
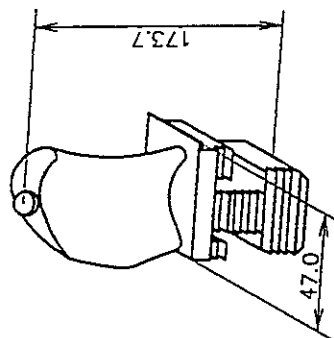
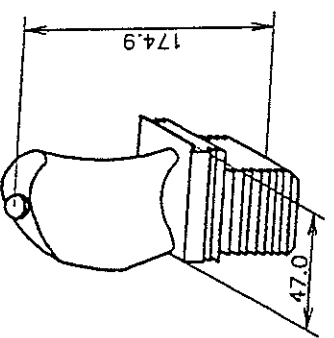


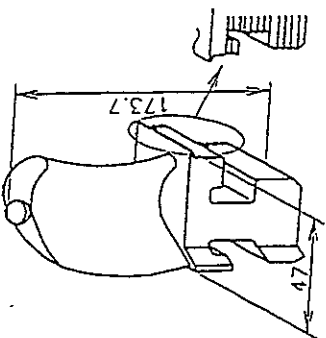
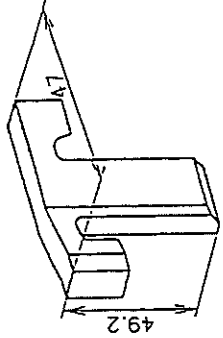
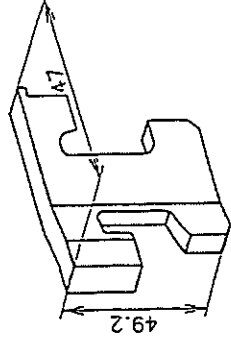
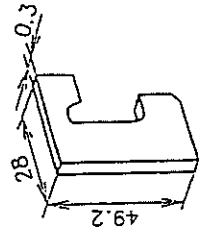
MANDATORY SPARE PARTS LIST

Spec. Item No.	Item No.	Equipment Name	Name of spare parts	Q'ty	Sketch	Material	Reference Drawing		Remarks	PARTY	SECTION
							Dwg. No.	Parts No.			
23.1	1	Turbine	1st Stage Rotational Blade	1 set (141 pc)		10705BX	N26-R10-4133	A1-1		MHI	RF
23.1	2	Turbine	1st Stage Stopper Blade	1 set (1 pc)		10705BX	N26-R10-4133	A1-2		MHI	RF
23.1	3	Turbine	1st Stage Stopper Blade	1 set (1 pc)		10705BX	N26-R10-4133	A1-3		MHI	RF

097
/00

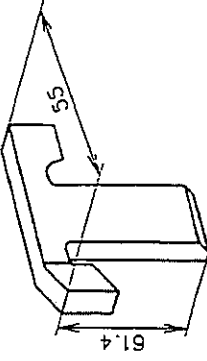
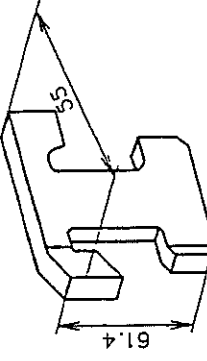
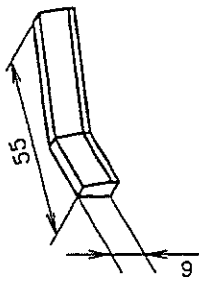
Name of Equipment : TURBINE PROPER

Name of Subcontractor(Manufacturer) :

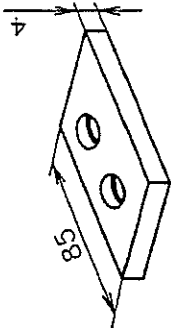
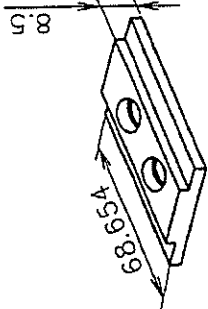
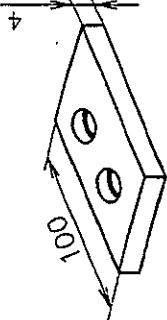
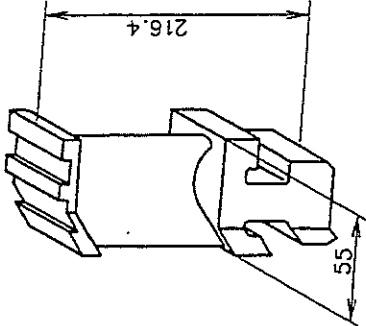
Spec. Item No.	Item No.	Name of Spare Parts	Q'ty	Sketch	Material	Reference Drawing		Remarks
						Dwg. No.	Parts No.	
23.1		1ST STAGE STOPPER BLADE	1set (1pc)		10705BX	N26-R10-4133	AI-4.	
23.1		1ST STAGE SET KEY	1set (2pc)		10705BX	N26-R10-4133	AI-5	
23.1		1ST STAGE ADJUST LINER	1set (2pc)		10705BX	N26-R10-4133	AI-6	
23.1		1ST STAGE SHIM	1set (20pc)		SUS304	---	---	FOR PITCH ADJUSTMENT

()

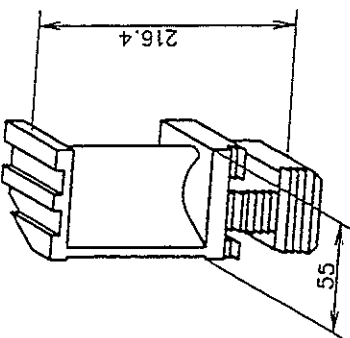
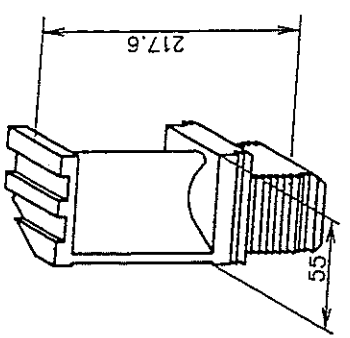
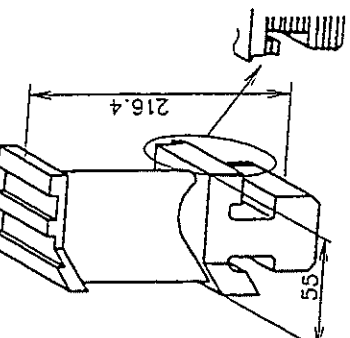
MANDATORY SPARE PARTS LIST

Spec. Item No.	Item No.	Equipment Name	Name of spare parts	Q'ty	Sketch	Material	Reference Drawing		Remarks	PARTY	SECTION
							Dwg. No.	Parts No.			
23.2	5	Turbine	2nd Stage Set Key	1 set (2 pc)		10705BX	N26-R10-3697	A15-5		MHI	RF
23.2	6	Turbine	2nd Stage Adjust Liner	1 set (2 pc)		10705BX	N26-R10-3697	A15-6		MHI	RF
23.2	7	Turbine	2nd Stage Joint Piece	1 set (4 pc)		10705BX	N26-R10-3697	A15-10		MHI	RF

MANDATORY SPARE PARTS LIST

Spec. Item No.	Item No.	Equipment Name	Name of spare parts	Q'ty	Sketch	Material	Reference Drawing		Remarks	PARTY	SECTION
							Dwg. No.	Parts No.			
23.1	7	Turbine	1st Stage Shroud (Inner)	1 set (72 pc)		10705CJ	N26-R10-4133	A1-9		MHI	RF
23.1	8	Turbine	1st Stage Shroud (Outer)	1 set (72 pc)		10705CJ	N26-R10-4133	A1-10		MHI	RF
23.1	9	Turbine	1st Stage Shroud (Inner)	1 set (4 pc)		10705CJ	N26-R10-4133	A1-11		MHI	RF
23.2	1	Turbine	2nd Stage Rotational Blade	1 set (105 pc)		10705BX	N26-R10-3697	A15-1		MHI	RF

MANDATORY SPARE PARTS LIST

Spec. Item No.	Item No.	Equipment Name	Name of spare parts	Q'ty	Sketch	Material	Reference Drawing		Remarks	PARTY	SECTION
							Dwg. No.	Parts No.			
23.2	2	Turbine	2nd Stage Stopper Blade	1 set (1 pc)		10705BX	N26-R10-3697	A15-2		MHI	RF
23.2	3	Turbine	2nd Stage Stopper Blade	1 set (1 pc)		10705BX	N26-R10-3697	A15-3		MHI	RF
23.2	4	Turbine	2nd Stage Stopper Blade	1 set (1 pc)		10705BX	N26-R10-3697	A15-4		MHI	RF

203

203

506

MANDATORY SPARE PARTS LIST

Spec. Item No.	Item No.	Equipment Name	Name of spare parts	Q'ty	Sketch	Material	Reference Drawing		Remarks	PARTY	SECTION
							Dwg. No.	Parts No.			
23.3	1	Turbine	3rd Stage Rotational Blade	1 set (120 pc)		10705BX	N26-R10-3615	A2-1		MHI	RF
23.3	2	Turbine	3rd Stage Stopper Blade	1 set (1 pc)		10705BX	N26-R10-3615	A2-2		MHI	RF

MANDATORY SPARE PARTS LIST

Spec. Item No.	Item No.	Equipment Name	Name of spare parts	Q'ty	Sketch	Material	Reference Drawing		Remarks	PARTY	SECTION
							Dwg. No.	Parts No.			
23.3	3	Turbine	3rd Stage Stopper Blade	1 set (1 pc)		10705BX	N26-R10-3615	A2-3		MHI	RF
23.3	4	Turbine	3rd Stage Set Pin	1 set (119 pc)		SUS304W2	N26-R10-3615	A2-4		MHI	RF
23.3	5	Turbine	3rd Stage Key	1 set (1 pc)		10702AN	N26-R10-3615	A2-5		MHI	RF

602
6

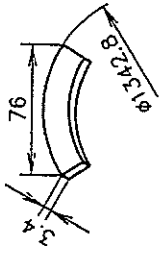
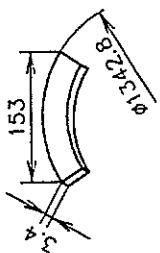
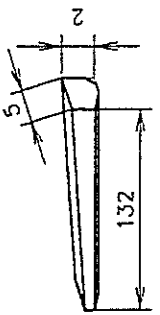
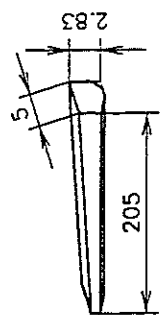
MANDATORY SPARE PARTS LIST

Spec. Item No.	Item No.	Equipment Name	Name of spare parts	Q'ty	Sketch	Material	Reference Drawing		Remarks	PARTY	SECTION
							Dwg. No.	Parts No.			
23.4	1	Turbine	4th Stage Rotational Blade	1 set (74 pc)		10705BX	N26-R10-3521	1		MHI	RF
23.4	2	Turbine	4th Stage Locking Piece	1 set (116 pc)		10706AK	N26-R10-3521	3		MHI	RF
23.4	3	Turbine	4th Stage Locking Piece	1 set (8 pc)		SUS304L	N26-R10-3521	4		MHI	RF

MANDATORY SPARE PARTS LIST

Spec. Item No.	Item No.	Equipment Name	Name of spare parts	Q'ty	Sketch	Material	Reference Drawing		Remarks	PARTY	SECTION
							Dwg. No.	Parts No.			
23.4	4	Turbine	4th Stage Shim	1 set (74 pc)		10702AN	N26-R10-3521	5		MHI	RF
23.4	5	Turbine	4th Stage Shim	1 set (74 pc)		10702AN	N26-R10-3521	6		MHI	RF
23.5	1	Turbine	5th Stage Locking Piece	1 set (74 pc)		10725BX	N26-R10-3522	1		MHI	RF

MANDATORY SPARE PARTS LIST

Spec. Item No.	Item No.	Equipment Name	Name of spare parts	Q'ty	Sketch	Material	Reference Drawing		Remarks	PARTY	SECTION
							Dwg. No.	Parts No.			
23.5	2	Turbine	5th Stage Locking Piece	1 set (116 pc)		10706AK	N26-R10-3522	3		MHI	RF
23.5	3	Turbine	5th Stage Locking Piece	1 set (8 pc)		SUS304L	N26-R10-3522	4		MHI	RF
23.5	4	Turbine	5th Stage Shim	1 set (74 pc)		10702AN	N26-R10-3522	5		MHI	RF
23.5	5	Turbine	5th Stage Shim	1 set (74 pc)		10702AN	N26-R10-3522	6		MHI	RF

boc
LL

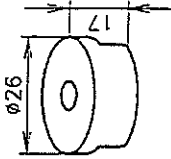
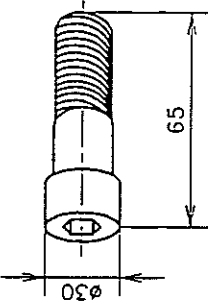
MANDATORY SPARE PARTS LIST

Spec. Item No.	Item No.	Equipment Name	Name of spare parts	Q'ty	Sketch	Material	Reference Drawing		Remarks	PARTY	SECTION
							Dwg. No.	Parts No.			
23.6	1	Turbine	6th Stage Rotational Blade	1 set (78 pc)		10725DW	N26-R10-3523	1		MHI	RF
23.6	2	Turbine	6th Stage Locking Piece	1 set (110 pc)		10706AK	N26-R10-3521	3		MHI	RF
23.6	3	Turbine	6th Stage Locking Piece	1 set (8 pc)		SUS304L	N26-R10-3521	4		MHI	RF
23.6	4	Turbine	6th Stage Shim	1 set (78 pc)		10702AN	N26-R10-3521	5		MHI	RF

MANDATORY SPARE PARTS LIST

Spec. Item No.	Item No.	Equipment Name	Name of spare parts	Q'ty	Sketch	Material	Reference Drawing		Remarks	PARTY	SECTION
							Dwg. No.	Parts No.			
23.6	5	Turbine	6th Stage Shim	1 set (78 pc)		10702AN	N26-R10-3521	6		MHI	RF
-23.8	1	Turbine	1st Stage Diaphragm	1 set		SC410	N26-R10-4134	A		MHI	RF
23.8	2	Turbine	1st Stage Horizontal Joint Key	1 set (4 pc)		10705BU	N26-R10-4137	1		MHI	RF

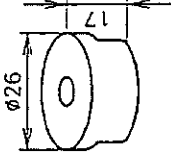
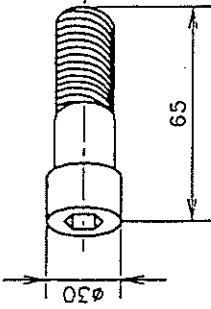
MANDATORY SPARE PARTS LIST

Spec. Item No.	Item No.	Equipment Name	Name of spare parts	Q'ty	Sketch	Material	Reference Drawing		Remarks	PARTY	SECTION
							Dwg. No.	Parts No.			
23.8	3	Turbine	1st Stage Center Guide Key	1 set (2 pc)		10705BU	N26-R10-4137	5		MHI	RF
23.8	4	Turbine	1st Stage Hexagon Socket Head Bolts	1 set (4 pc)		10705BU	N26-R10-4137	7		MHI	RF

MANDATORY SPARE PARTS LIST

Spec. Item No.	Item No.	Equipment Name	Name of spare parts	Q'ty	Sketch	Material	Reference Drawing		Remarks	PARTY	SECTION
							Dwg. No.	Parts No.			
23.9	1	Turbine	2nd Stage Diaphragm	1 set		SC410	N26-R10-4135	A	MHI	RF	
23.9	2	Turbine	2nd Stage Horizontal Joint Key	1 set (4 pc)		10705BU	N26-R10-4137	1	MHI	RF	

MANDATORY SPARE PARTS LIST

Spec. Item No.	Item No.	Equipment Name	Name of spare parts	Q'ty	Sketch	Material	Reference Drawing		Remarks	PARTY	SECTION
							Dwg. No.	Parts No.			
23.9	3	Turbine	2nd Stage Center Guide Key	1 set (2 pc)		10705BU	N26-R10-4137	5		MHI	RF
23.9	4	Turbine	2nd Stage Hexagon Socket Head Bolts	1 set (4 pc)		10705BU	N26-R10-4137	7		MHI	RF

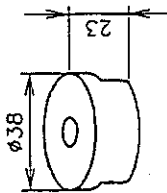
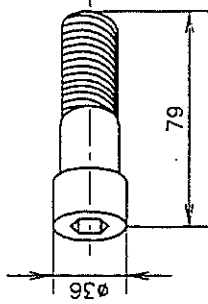
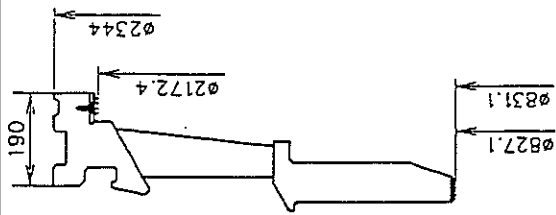
216

MANDATORY SPARE PARTS LIST

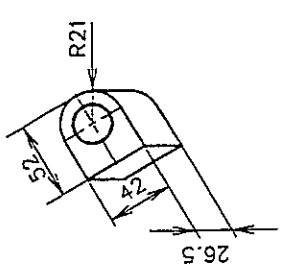
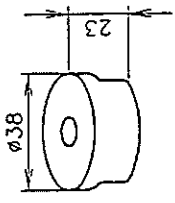
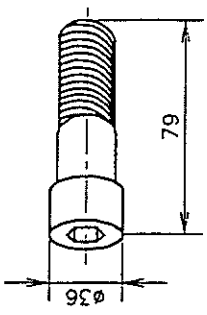
Spec. Item No.	Item No.	Equipment Name	Name of spare parts	Q'ty	Sketch	Material	Reference Drawing		Remarks	PARTY	SECTION
							Dwg. No.	Parts No.			
23.10	1	Turbine	3rd Stage Diaphragm	1 set		SC410	N26-R10-4136	A		MHI	RF
23.10	2	Turbine	3rd Stage Horizontal Joint Key	1 set (4 pc)		10705BU	N26-R10-4137	2		MHI	RF

215

MANDATORY SPARE PARTS LIST

Spec. Item No.	Item No.	Equipment Name	Name of spare parts	Q'ty	Sketch	Material	Reference Drawing		Remarks	PARTY	SECTION
							Dwg. No.	Parts No.			
23.10	3	Turbine	3rd Stage Center Guide Key	1 set (2 pc)		10705BU	N26-R10-4137	6		MHI	RF
23.10	4	Turbine	3rd Stage Hexagon Socket Head Bolts	1 set (4 pc)		10705BU	N26-R10-4137	8		MHI	RF
23.11	1	Turbine	4th Stage Diaphragm	1 set		SC410	N26-R10-3566	A		MHI	RF

MANDATORY SPARE PARTS LIST

Spec. Item No.	Item No.	Equipment Name	Name of spare parts	Q'ty	Sketch	Material	Reference Drawing		Remarks	PARTY	SECTION
							Dwg. No.	Parts No.			
23.11	2	Turbine	4th Stage Horizontal Joint Key	1 set (4 pc)		10705BU	N26-R10-4137	2		MHI	RF
23.11	3	Turbine	4th Stage Center Guide Key	1 set (2 pc)		10705BU	N26-R10-4137	6		MHI	RF
23.11	4	Turbine	4th Stage Hexagon Socket Head Bolts	1 set (4 pc)		10705BU	N26-R10-4137	8		MHI	RF

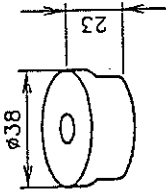
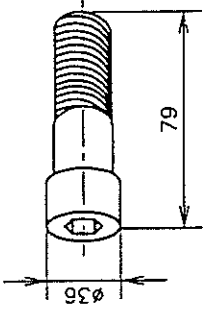
612

217

MANDATORY SPARE PARTS LIST

Spec. Item No.	Item No.	Equipment Name	Name of spare parts	Q'ty	Sketch	Material	Reference Drawing		Remarks	PARTY	SECTION
							Dwg. No.	Parts No.			
23.12	1	Turbine	5th Stage Diaphragm	1 set		SC410	N26-R10-3568	A		MHI	RF
23.12	2	Turbine	5th Stage Horizontal Joint Key	1 set (4 pc)		10705BU	N26-R10-4137	3		MHI	RF

MANDATORY SPARE PARTS LIST

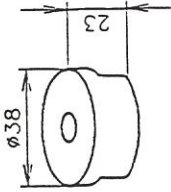
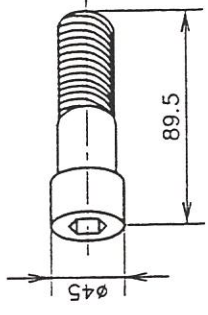
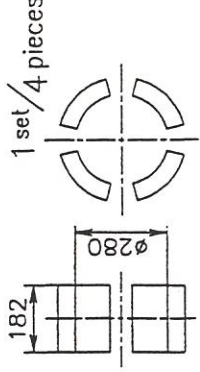
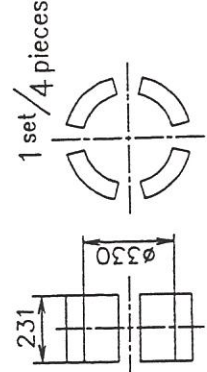
Spec. Item No.	Item No.	Equipment Name	Name of spare parts	Q'ty	Sketch	Material	Reference Drawing		Remarks	PARTY	SECTION
							Dwg. No.	Parts No.			
23.12	3	Turbine	5th Stage Center Guide Key	1 set (2 pc)		10705BU	N26-R10-4137	6		MHI	RF
23.12	4	Turbine	5th Stage Hexagon Socket Head Bolts	1 set (4 pc)		10705BU	N26-R10-4137	8		MHI	RF

6/16
X

MANDATORY SPARE PARTS LIST

Spec. Item No.	Item No.	Equipment Name	Name of spare parts	Q'ty	Sketch	Material	Reference Drawing		Remarks	PARTY	SECTION
							Dwg. No.	Parts No.			
23.13	1	Turbine	6th Stage Diaphragm	1 set		SC410	N26-R10-3571	A		MHI	RF
23.13	2	Turbine	6th Stage Horizontal Joint Key	1 set (4 pc)		10705BU	N26-R10-4137	4		MHI	RF

MANDATORY SPARE PARTS LIST

Spec. Item No.	Item No.	Equipment Name	Name of spare parts	Q'ty	Sketch	Material	Reference Drawing		Remarks	PARTY	SECTION
							Dwg. No.	Parts No.			
23.13	3	Turbine	6th Stage Center Guide Key	1 set (2 pc)		10705BU	N26-R10-4137	6		MHI	RF
23.13	4	Turbine	6th Stage Hexagon Socket Head Bolts	1 set (4 pc)		10705BU	N26-R10-4137	9		MHI	RF
23.15	1	Turbine	Turbine journal bearings No.1 Bearing	2 sets		ASTM A576A1S1C 1022 ASTM B23 Gr2	01450- J031-00 (A0GB 13744)	14 15	J031	MHI	RF
23.15	2	Turbine	Turbine journal bearings No.2 Bearing	2 sets		ASTM A576A1S1C 1022 ASTM B23 Gr2	01450- J032-00 (A0GB 13748)	2 3	J032	MHI	RF