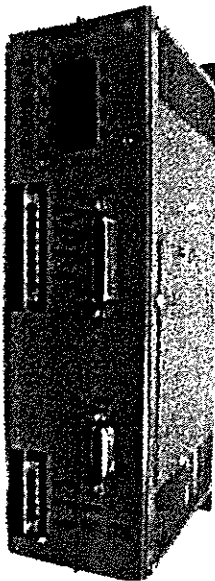




GENERAL
SPECIFICATION

FXDCC02 POWER SUPPLY UNIT (DC24V OUTPUT 10W × 1ch, 40W × 3ch)

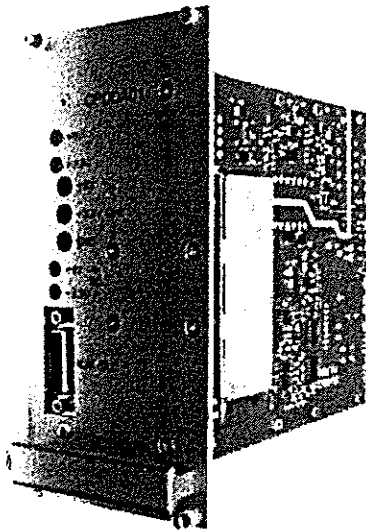


- Type FXDCC02
- ABSTRACT
 - * DC24V(Max.1.65A)Output × 3ch
 - * DC24V(Max.0.5A)Output × 1ch
 - * Input voltage : AC85~264V/DC90~300V
 - * Duplicated operation is available

ITEM	SPECIFICATION	ITEM	SPECIFICATION
INPUT VOLTAGE	AC85~264V(45~65Hz) DC90~300V	ENVIRONMENTAL CONDITIONS	Operating temperature range : 0~55°C relative humidity : 20~90%RH (Noncondensing)
OUTPUT VOLTAGE	DC24V(Max.1.65A) × 3ch DC24V(Max.0.5A) × 1ch	DIELECTRIC STRENGTH	AC2000V, 1minute (Between input and output) (Between input and the case) (Between output and the case) (Between output and output)
EFFICIENCY	More than 73%	INSULATION RESISTANCE	More than 100MΩ (DC500V Megger)
ALARM OUTPUT	1a,1b contact for power normal of each output channel.	SIZE	294mmH x 80mmW x 145mmD
PROTECTION	Overvoltage protection (Manual reset) Overcurrent protection (Automatic reset)		



CPDDA01 POWER SUPPLY UNIT FOR CPU CHASSIS



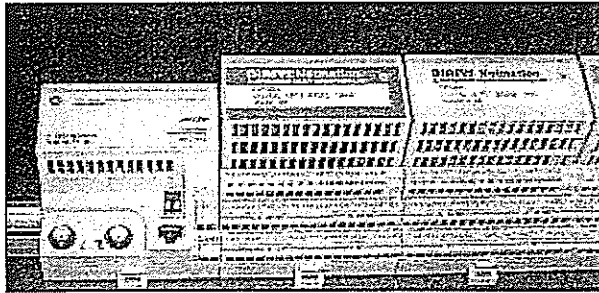
■ Type CPDDA01

■ ABSTRACT

- * DC3.3V(Max.20A)Output × 1ch
- * DC5.0V(Max.5A)Output × 1ch
- * Input voltage : AC85~264V/DC90~300V
- * Duplicated operation is available

ITEM	SPECIFICATION	ITEM	SPECIFICATION
INPUT VOLTAGE	AC85~264V(47~63Hz) DC90~300V	ENVIRONMENTAL CONDITIONS	Operating temperature range : 0~55°C relative humidity : 20~90%RH (Noncondensing)
OUTPUT VOLTAGE	DC3.3V(Max.20A) × 1ch DC5.0V(Max.5A) × 1ch	DIELECTRIC STRENGTH	AC2500V, 1minute (Between input and output) AC2500V, 1minute (Between input and the case)
EFFICIENCY	More than 62%	INSULATION RESISTANCE	More than 100MΩ (DC500V Megger)
ALARM OUTPUT	1a,1b contact for power normal of each output channel.	SIZE	173mmH x 81mmW x 165mmD
PROTECTION	Overvoltage protection (Manual reset) Overcurrent protection (Automatic reset)		

FXTCL01 ControlNet™ FLEX I/O TURBINE INTERLOCK LOGIC MODULE



■ Type FXTCL01

■ ABSTRACT

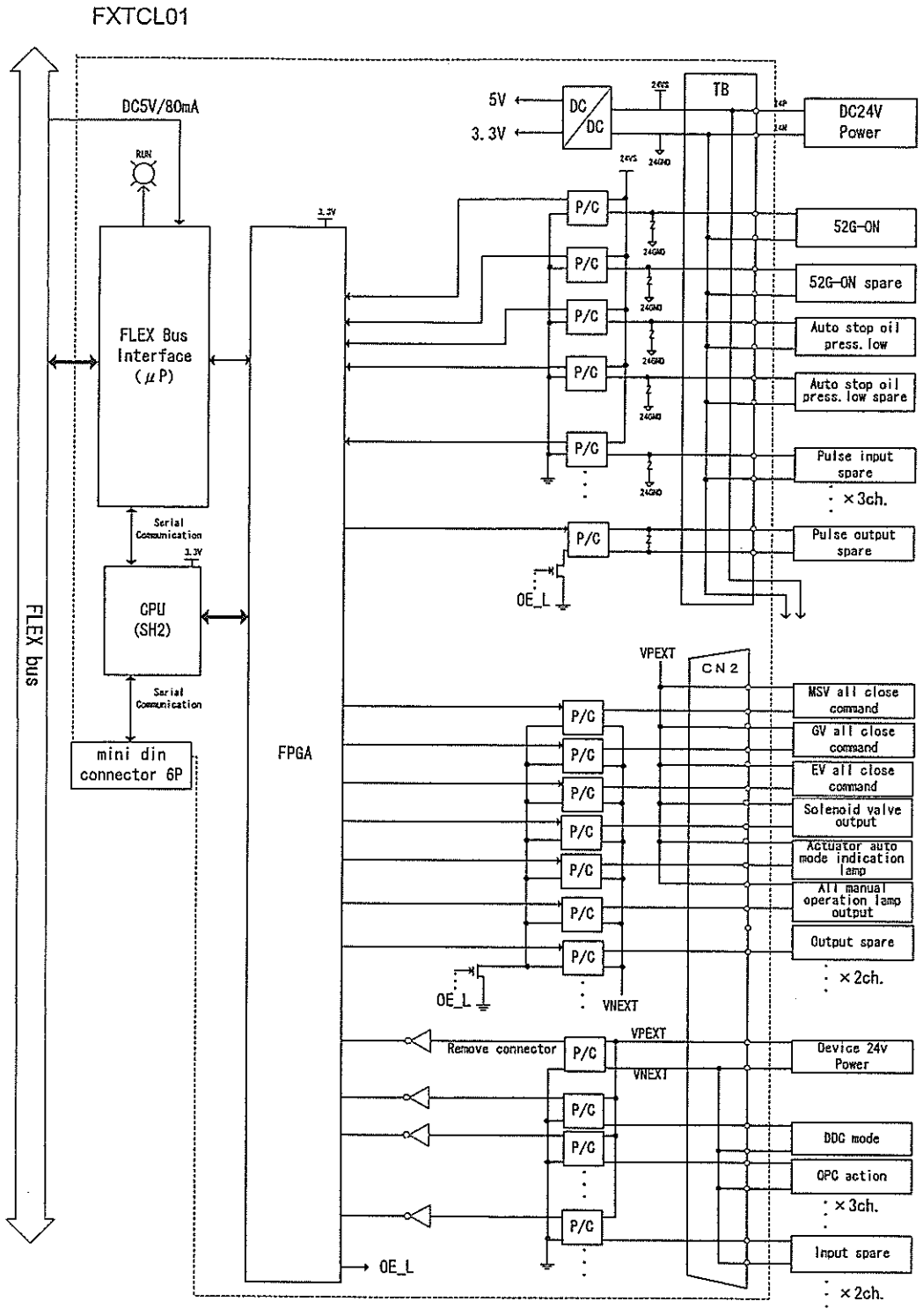
- * Turbine interlock logic module
- * "52G-ON" Input 1ch
- * "Auto stop oil press. low input 1ch
- * "DDC mode" input 1ch
- * "OPC action" input 3ch
- * Turbine interlock output

MSV all close, GV all close, EV all close

- * "OPC solenoid valve " output
- * Compatible to Flex-I/O /ControlNet™ LAN

ITEM	SPECIFICATION	ITEM	SPECIFICATION
TERMINAL BASE DIGITAL INPUT	photo coupler input×4ch. DC24V/5mA 52G-ON, 52G-ON spare Auto stop oil press. low Auto stop oil press. low spare	SERIAL INTERFACE (for maintenance)	RS-232C (mini din connector 6P)×1ch.
PULSE INPUT SPARE	photo coupler input×3ch. 24VDC/5mA	SERIAL INTERFACE (μP↔SH2)	Synchronize : 250KHz communication interval : 5msec
PULSE OUTPUT SPARE	open collector output×1ch. 30VDC/10mA	STATUS INDICATION	1 green / red LED status indicator 16 yellow LED lamps on the unit
CONNECTOR DIGITAL INPUT	photo coupler input×6ch. 24VDC/5mA DDC mode OPC acting-1,2,3 spare input 2ch.	CALCULATE SPEED (SH2)	High speed×1Loop : 5msec Middle speed×1Loop : 10msec Low speed×1Loop : 100msec
CONNECTOR DIGITAL OUTPUT	open collector output ×8ch. 30VDC/0.1A MSV all close, GV all close, EV all close OPC solenoid valve output Actuator auto mode indication lamp All manual operation output Spare output 2ch.	ISOLATION VOLTAGE	Between digital input / output terminals and FG : 1500V
SELF DIAGNOSIS	Watch dog timer Power supply low voltage Application failure Loose connector Clock monitor	ENVIRONMENTAL CONDITIONS	Operating temperature range : 0~55°C relative humidity : 0~95%RH (non-condensing) Storage temperature range : -25~85°C relative humidity : 0~95%RH (non-condensing)
		POWER SUPPLY REQUIREMENT	24VDC±10% 5VDC / 80mA
		SHOCK/VIBRATION	15G / 2G at 10~500Hz
		SIZE	46mmH×92mmW×110mmD

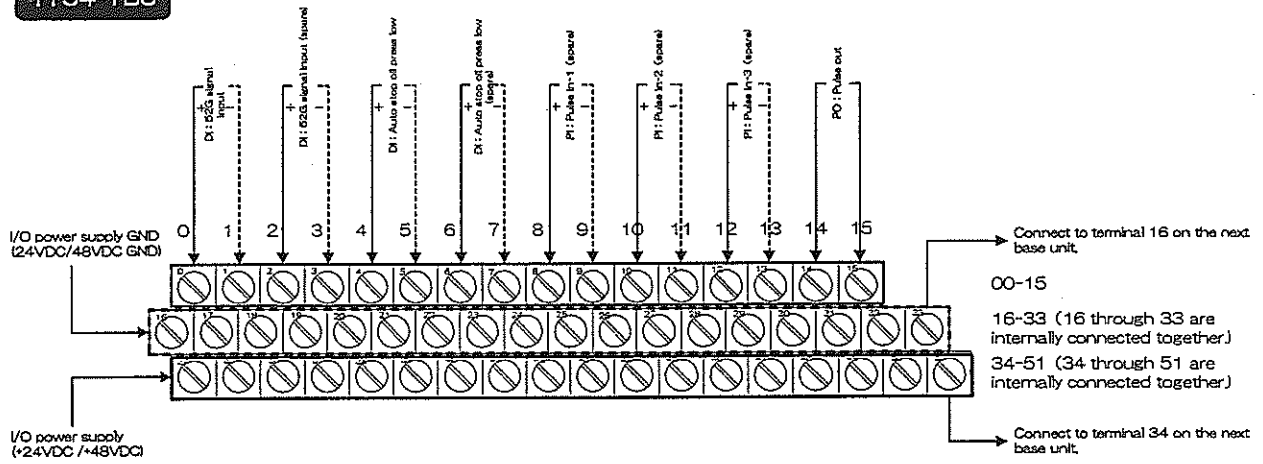
* ControlNet™ is a trademark of Rockwell Automation.



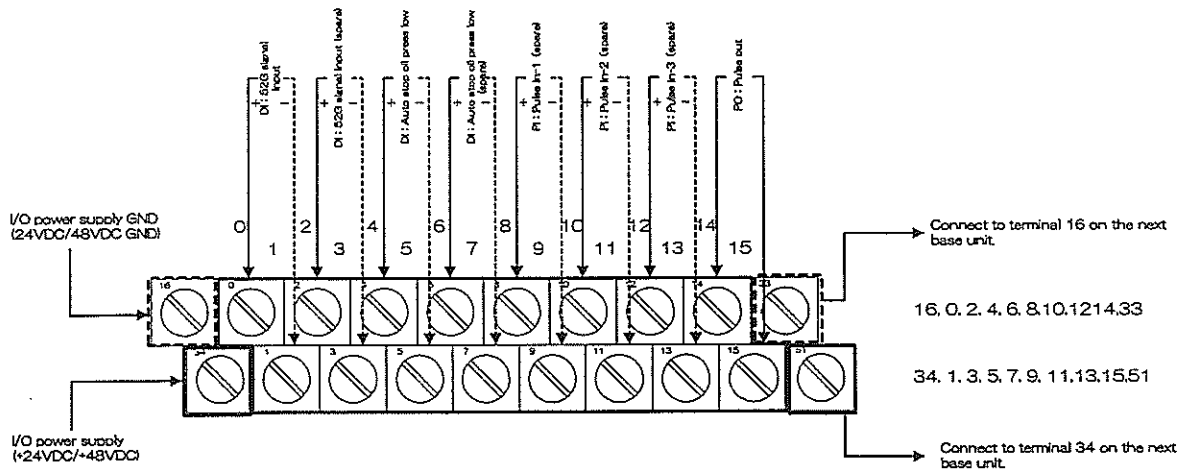
FXTCL01 Block Diagram

FXTCL01

1794-TB3



1794-TBN



FXTCL01 Terminal Arrangement

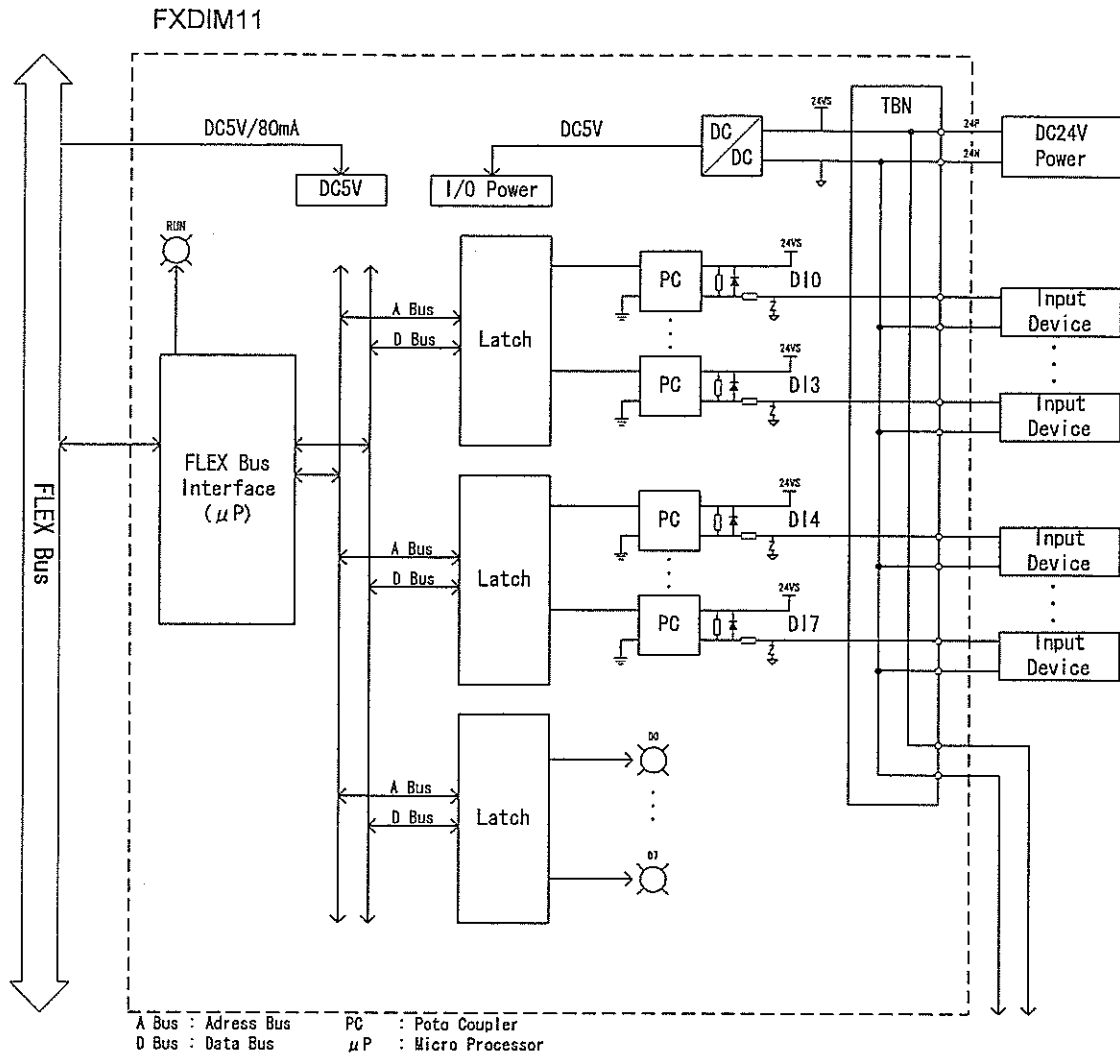
FXDIM11 DI MODULE (ControlNet™ FLEX DC24V DIGITAL INPUT, 8 POINTS)



- Type FXDIM11
- ABSTRACT
 - * 8 points digital Input module
 - * Applicable to input voltage level : 24VDC
 - * Compatible to Flex-I/O / ControlNet™ LAN

ITEM	SPECIFICATION	ITEM	SPECIFICATION
NO. OF INPUT CHANNEL	8 points	ISOLATION VOLTAGE	1500VAC between input terminals and FG
ISOLATION	8 points common	ENVIRONMENTAL CONDITIONS	Operating temperature range : 0~55 °C relative humidity : 5~95%RH (non-condensing) Storage temperature range : -40~85 °C relative humidity : 5~95%RH (non-condensing)
INPUT VOLTAGE	24VDC -20% ~ +10%		
INPUT CURRENT	5mA	POWER SUPPLY REQUIREMENT	24VDC ±20% / 110mA Max. 5VDC / 80mA Max.
MINIMUM INPUT CURRENT	1.5mA	SHOCK/VIBRATION	15G / 2G at 10~500Hz
INPUT FILTER RATE	0ms,5ms,10ms,50ms (Programmably selected)	SIZE	46mmH×96mmW×75mmD
STATUS INDICATION	1 green / red LED status indicator 8 yellow LED lamps on the unit.		
APPLICABLE TERMINAL BASE UNIT	1794-TB3/TB3S (Clip on type) 1794-TBN/TBNF(screw terminal type)		

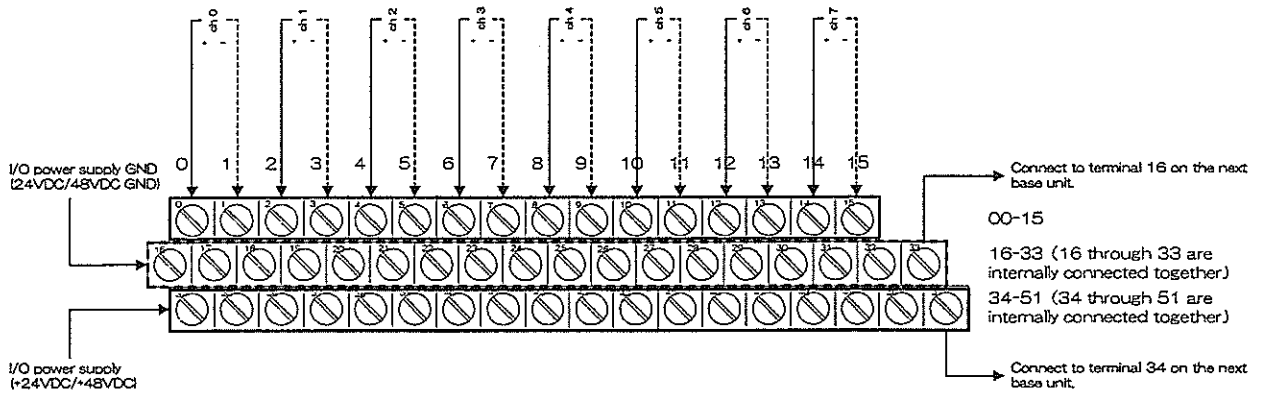
* ControlNet™ is a trademark of Rockwell Automation.



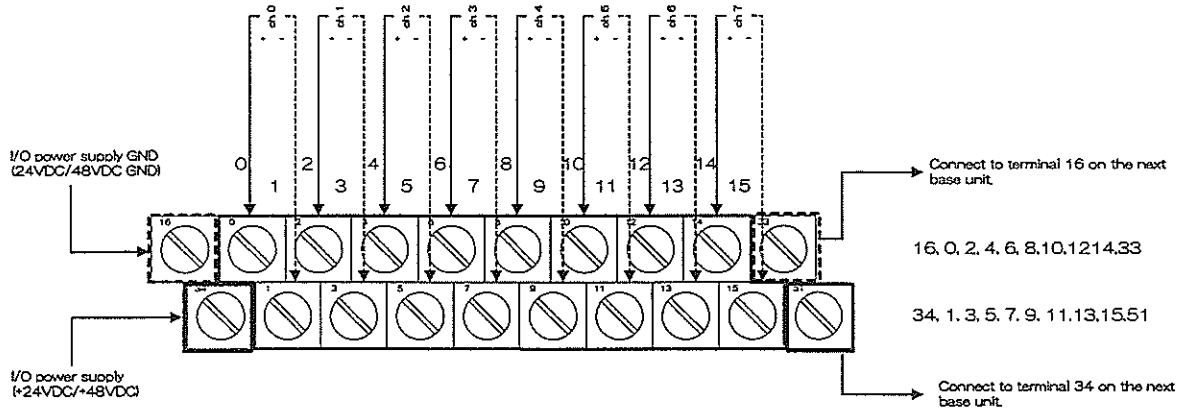
FXDIM11 Block Diagram

FXDIM11

1794-TB3



1794-TBN



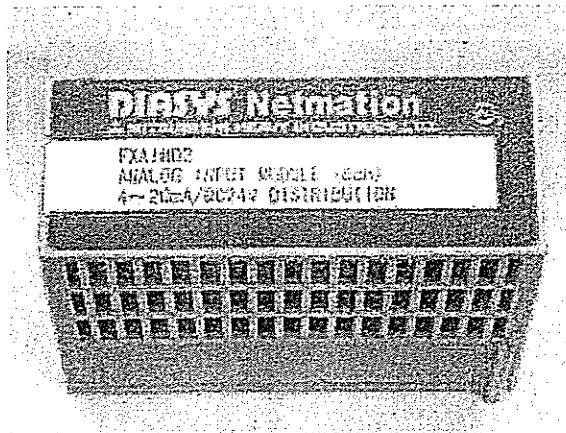
FXDIM11 Terminal Arrangement

DIASYS

Technical Access

GENERAL
 SPECIFICATION

FXAIM02 AI MODULE (ControlNet™ FLEX TRANSMITTER INPUT, 8 POINTS)

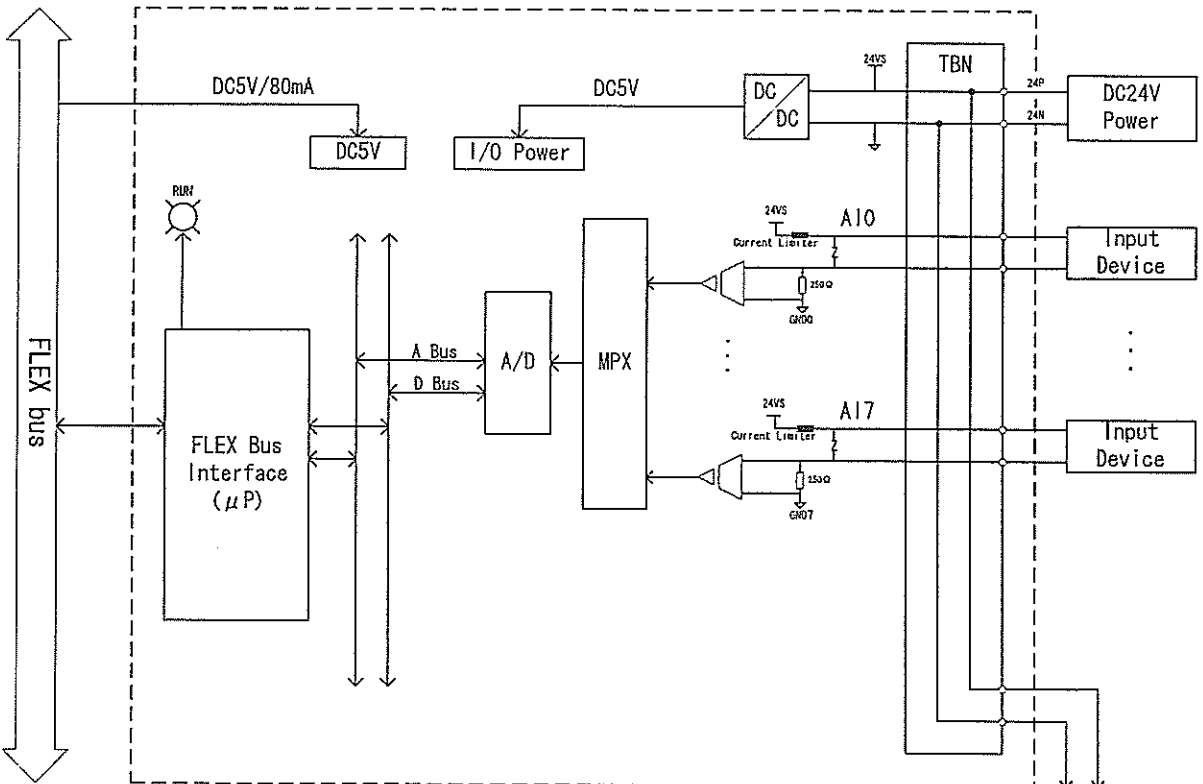
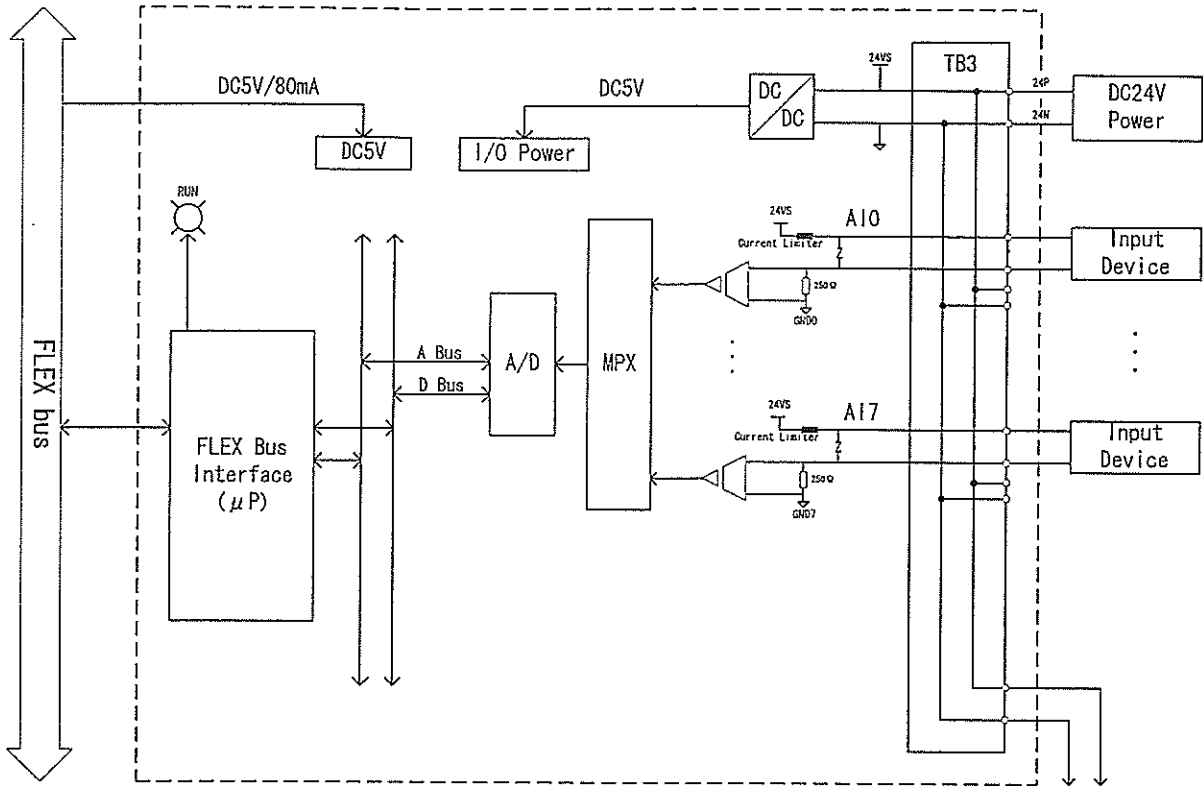


- Type FXAIM02
- ABSTRACT
 - * Isolated 8points 0~20mA/4~20mA input modules
 - * 24VDC distributed power supply for local transmitters
 - * Compatible to Flex-I/O /ControlNet™ LAN

ITEM	SPECIFICATION	ITEM	SPECIFICATION
NO. OF INPUT CHANNEL	8 points	INPUT FILTER RATE	0ms, 50ms, 100ms, 500ms (Programmably selected)
ISOLATION	8 ch common	STATUS INDICATION	1 green / red LED status indicator
INPUT SIGNAL RANGE	0 to 20mA /+3%: F/W Ver.1 to 3 +10%: F/W Ver.4 or later 4 to 20mA /±3% F/W Ver.1 to 3 ±10%: F/W Ver.4 or later	APPLICABLE TERMINAL BASE UNIT	1794-TB3/TB3S (Clip on type) 1794-TBN/TBNF(screw terminal type)
RESOLUTION OF INPUT	16bit /	ISOLATION VOLTAGE	AC500V between input terminals and FG
INPUT IMPEDANCE	250Ω	ENVIRONMENTAL CONDITIONS	Operating temperature range : 0 to 55°C relative humidity : 5~95%RH (non-condensing) Storage temperature range : -40 to 85 °C relative humidity : 5 to 95%RH (non-condensing)
DATA FORMAT	Left adjusted 16bit 2's complement	POWER SUPPLY REQUIREMENT	24VDC±10% / 300mA Max. 5VDC / 80mA Max.
CONVERSION TYPE	Successive approximation	SHOCK/VIBRATION	15G / 2G at 10 to 500Hz
CONVERSION RATE	5 μs/ ch	SIZE	46 mmH × 96 mmW × 75 mmD
DATA REFRESHMENT RATE	9.5ms		
ACCURACY	±0.1% Full Scale Deflection		
TEMPERATURE DRIFT	Less than ±100ppm/°C		
MAXIMUM OVERLOAD	30 mA continuous		

* ControlNet™ is a trademark of Rockwell Automation.

FXAIM02

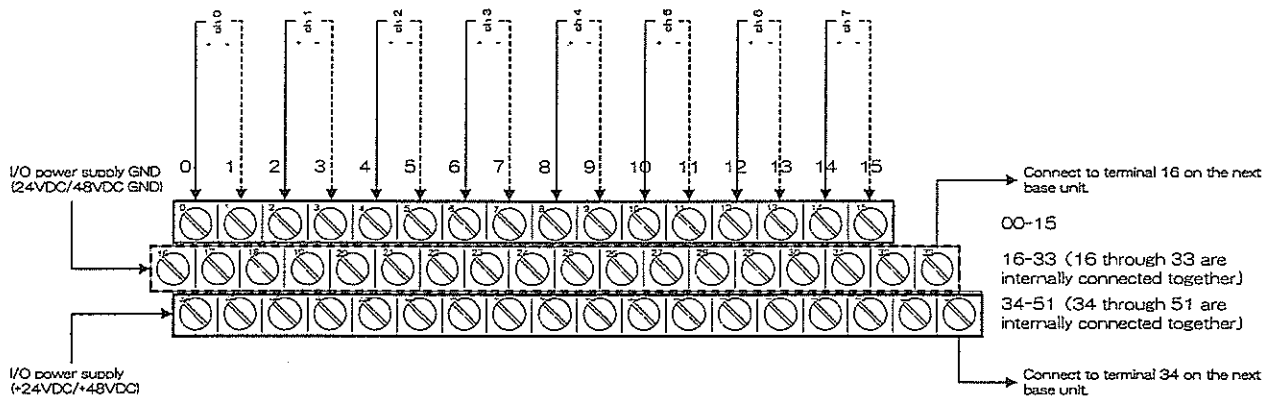


FXAIM02 Block Diagram

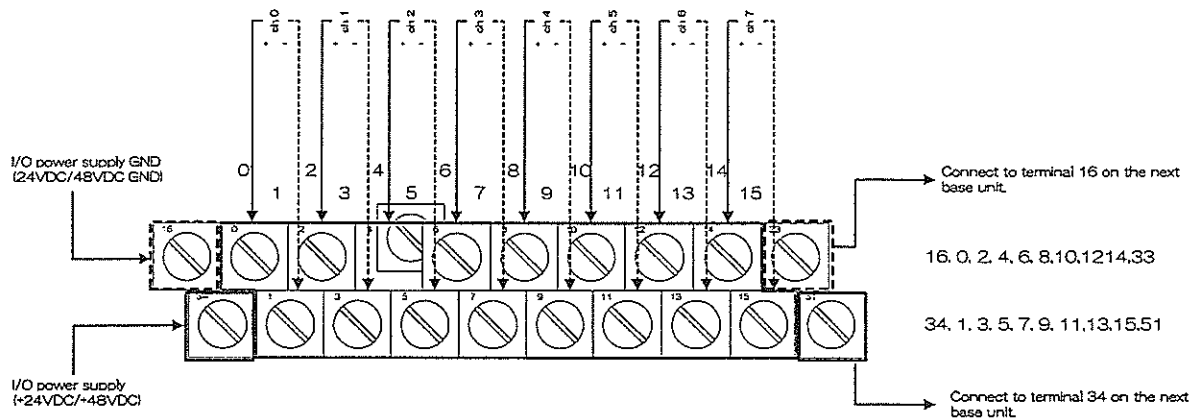
46
66

FXAIM02

1794-TB3



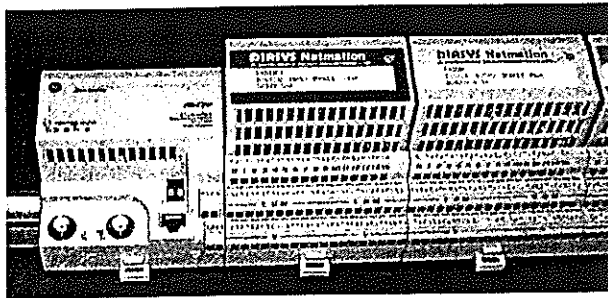
1794-TB1



FXAIM02 Terminal Arrangement

DIASYS

FXEDI02A/B ControlNet™ FLEX I/O EVENT DI MODULE, 16 POINTS

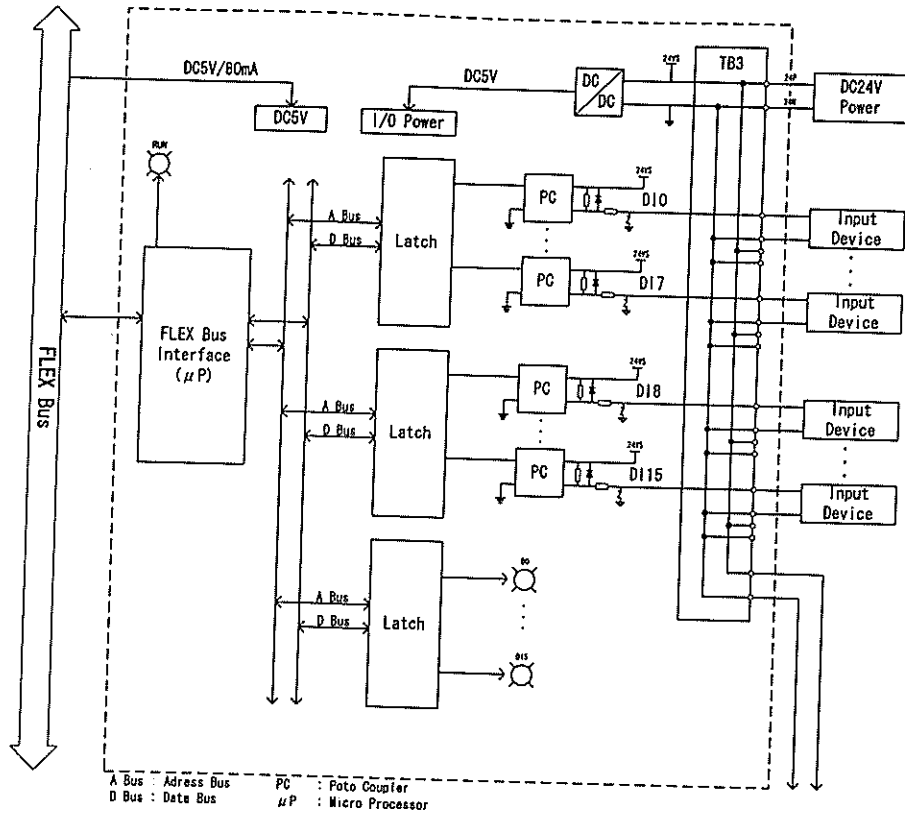


- Type FXEDI02A/B
- ABSTRACT
 - Isolated 16points event input modules
 - Time resolution : 1 msec
 - Compatible to Flex-I/O / ControlNet™ LAN

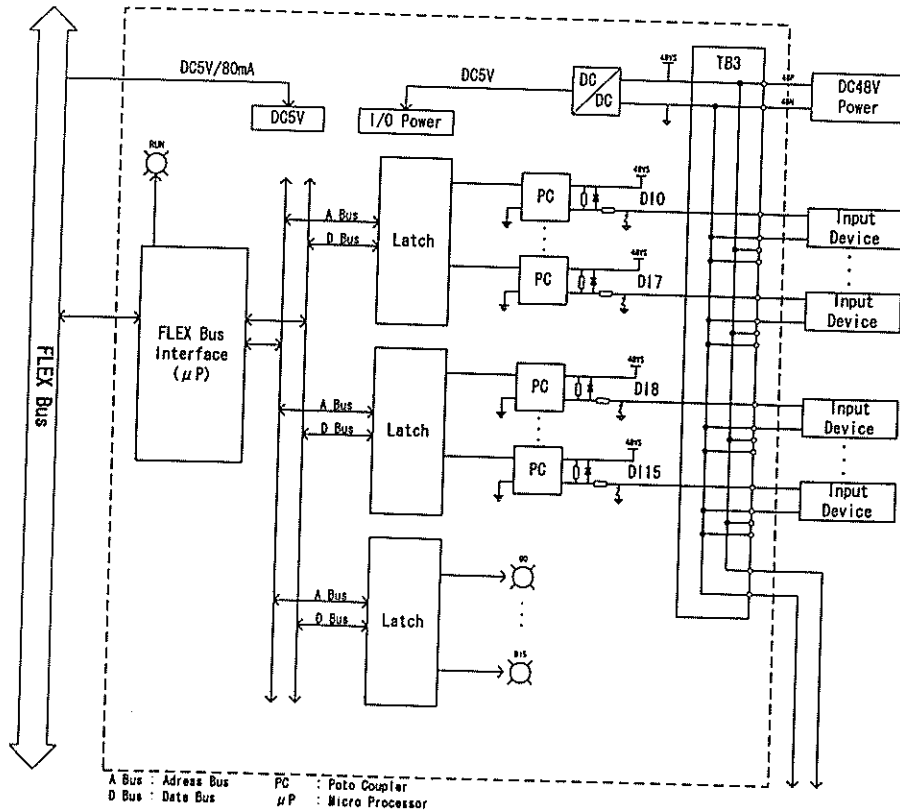
ITEM	SPECIFICATION	ITEM	SPECIFICATION
NO. OF INPUT CHANNEL	16 points 1~15ch. : Normal input signal 16ch. : Synchronized input signal	ISOLATION VOLTAGE	AC1500V between input terminals and FG
ISOLATION	16 points common	ENVIRONMENTAL CONDITIONS	Operating temperature range : 0~55°C relative humidity : 5~95%RH (non-condensing) Storage temperature range : -40~85°C relative humidity : 5~95%RH (non-condensing)
INPUT VOLTAGE	FXEDI02A : DC24V -20% ~ +10% FXEDI02B : DC48V -20% ~ +10%		
INPUT CURRENT	5mA		
MINIMUM INPUT CURRENT	More than 1.5mA		
INPUT FILTER RATE	Programmable.(0~255ms each ch)	POWER SUPPLY REQUIREMENT	DC24V±20% / 110mA Max.
STATUS INDICATION	1 green / red LED status indicator 16 yellow LED lamps on the unit.	SHOCK/VIBRATION	15G / 2G @ 10~500Hz
APPLICABLE TERMINAL BASE UNIT	1794-TB3/TB3S (Clip on type)	SIZE	46mmH × 92mmW × 110mmD

* ControlNet™ is a trademark of Rockwell Automation

FXEDI02A/B



FXEDI02A Block Diagram



FXEDI02B Block Diagram

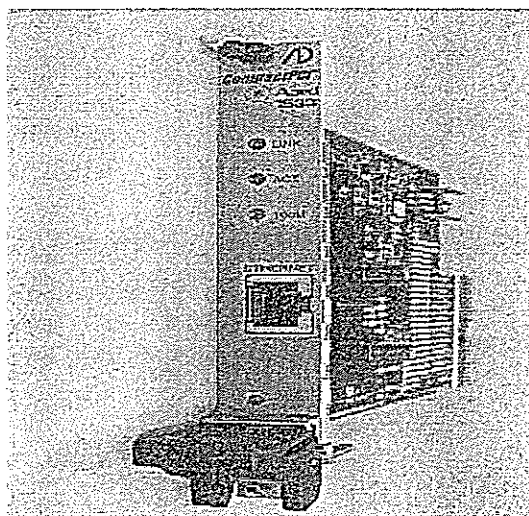
are some models in product range and the product is subject to change, so the product described in this may differ from the product you are using.



Technical Access

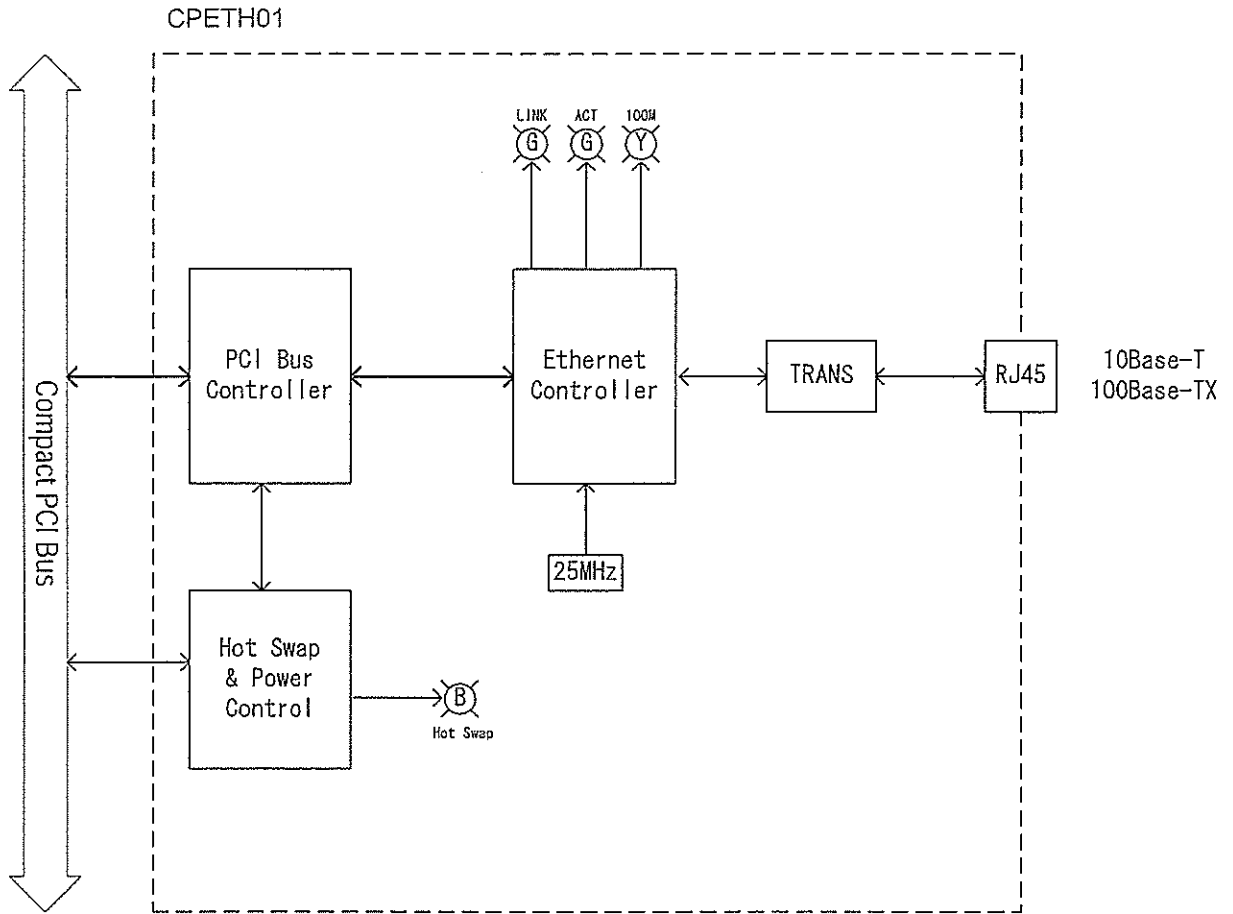
GENERAL
 SPECIFICATION

CPETH01 10M/100M Ethernet I/F CARD



- Type CPETH01
- ABSTRACT
 - * 133 Mbps Compact PCI Bus
 - * 10M / 100 Mbps ETHERNET I/F CARD
 - * IEEE802.3 10BASE-T / 100BASE-TX compatible
 - * Intel 82559 controller
 - 3k byte data transmission FIFO memory
 - 3k byte data reception FIFO memory
 - 1k bit (64 x 16) serial EEPROM
for MAC addressing & Initial code setting

ITEM	SPECIFICATION	ITEM	SPECIFICATION
CONTROLLER	Intel 82559 / 25MHz	APPLIED CODE	PCI Local Bus Spec. Rev. 2.1 PICMG 2.0 R2.1 IEEE802.3
APPLICABLE RATE/CODE	10 Mbps / 10BASE-T 100 Mbps / 100BASE-TX	ENVIRONMENTAL CONDITIONS	Operating temperature range : 0~60°C relative humidity : 35~85%RH (Noncondensing) Storage temperature range : -10~70°C relative humidity : ~90%RH (Noncondensing)
INTERNAL DATA BUFFER	3k byte / transmission data 3k byte / reception data		
SERIAL EEPROM	1k bit (64×16) for MAC addressing & Initial code setting		
EXTERNAL INTERFACE	RJ45		
PCI INTERRUPTION	1 interrupt line	POWER SUPPLY REQUIREMENT	5VDC±5% / 0.1A Max. 3.3VDC±5% / 0.25A Max.
USER INTERFACE	3 LED for communication information Link Activity 100M Selected 1 LED Hot Swap status indication	SIZE	160mmD×100mmH×20mmW (3U×1slots)



CPETH01 Block Diagram

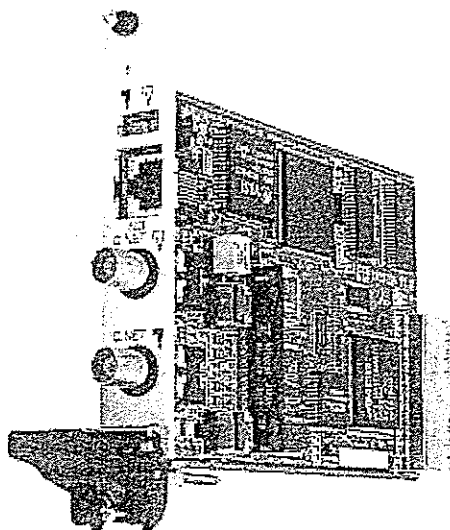
Please be aware that due to product improvements and modifications, the product description in this manual may differ in certain respects from the actual product.
 This manual may not be distributed or reproduced in whole or in part without permission.

DIASYS

Technical Access

GENERAL SPECIFICATION

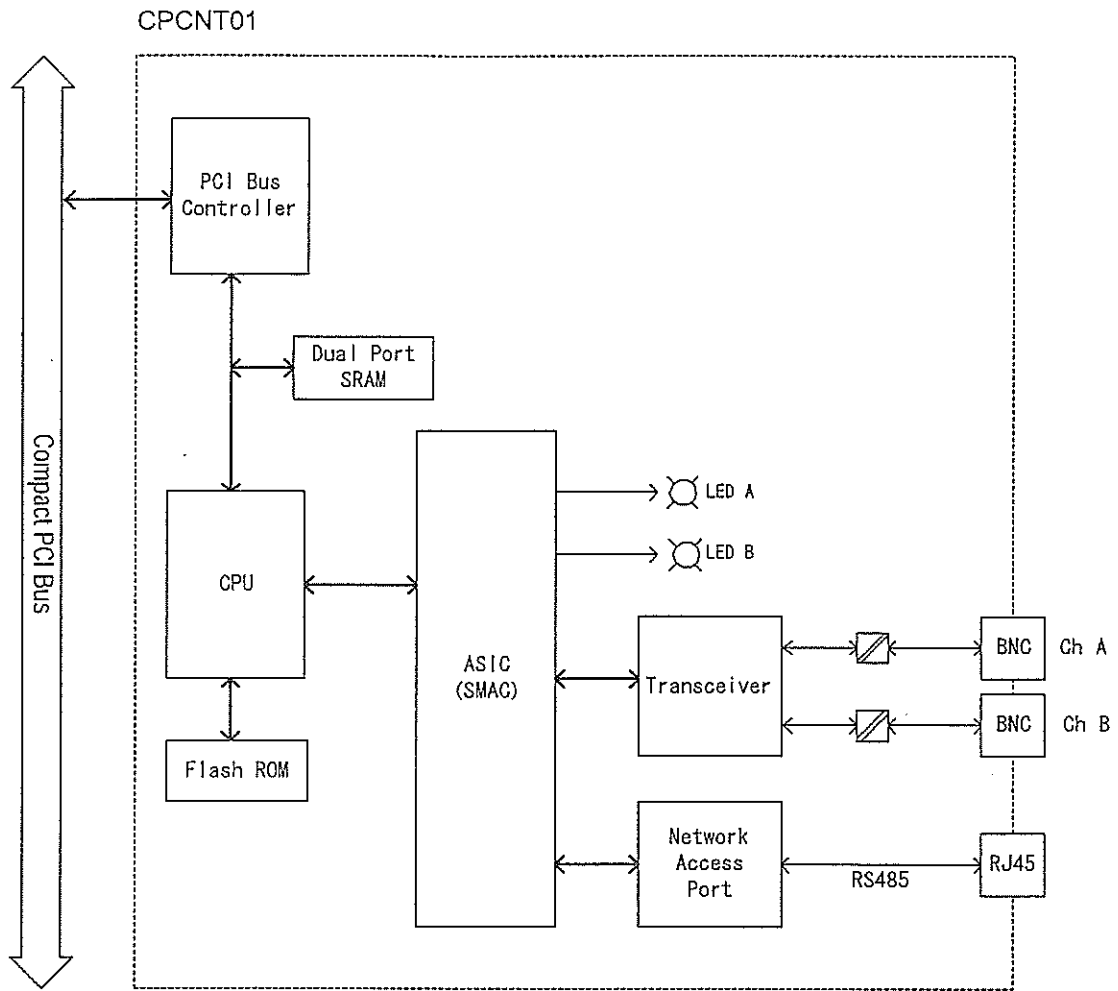
CPCNT01 COMPACT PCI ControlNet™ I/F CARD



- Type CPCNT01
- ABSTRACT
 - * 133 Mbps Compact PCI Bus
 - * ControlNet™ Host interface card
 - * 5Mbps media redundant communication interface
 - * 75Ω coaxial & optical media accessible
 - * Max. 99 nodes (128 connections) addressable
 - * CTDMA(Concurrent Time Domain Multiple Access)
 - * NS486 / 25 MHz controller
 - * 256k byte flash ROM & 2M byte Dynamic RAM
 - * 16k byte Dual Port RAM for PCI bus interface
 - * SMAC™ controller for Control Net interface

ITEM	SPECIFICATION	ITEM	SPECIFICATION
Control Net™ COMMUNICATION RATE	5 Mbps	APPLIED CODE	PCI Local Bus Spec. Rev. 2.1 PICMG 2.0 R2.1
ADDRESSABLE NODES	99 Nodes / 128 Connection	ENVIRONMENTAL CONDITIONS	Operating temperature range : 0~60°C relative humidity : 35~85%RH (Non condensing) Storage temperature range : -10~70°C relative humidity : ~90%RH (Non condensing)
ACCESSIBLE MEDIA	75Ω coaxial cable (8.2 Vp-p) Hard clad silica fiber (650nm SI)		
MEDIA ACCESS ENCODING	Manchester Bi-phase L-data encoding		
PROTOCOL	CTDMA Schedulable data communication		
FRAME DATA LENGTH	510 byte / Frame	POWER SUPPLY REQUIREMENT	5VDC±5% / 1A
DATA CHECK METHOD	CRC (X ¹⁶ +X ¹² +X ⁵ +1) / 8 hamming distance	SIZE	160mmD×100mmH×20mmW (3U×1slots)

* ControlNet™ is a trademark of Rockwell Automation.



CPCNT01 Block Diagram

Please be aware that due to product improvements and modifications, the product description in this manual may differ in certain respects from the actual product.
 This manual may not be distributed or reproduced in whole or in part without permission.