

305	COUPLING BOLT & NUT	SS400	MILD STEEL	8	
304	COUPLING RING	NBR	RUBBER	8	
302	COUPLING	S45C	CARBON STEEL	1	
301	COUPLING	S45C	CARBON STEEL	1	
208	BEARING COVER	FC200	CAST IRON	1	
205	THROTTLE BUSH	S25C+WJ2	CARBON STEEL & WHITE METAL	1	
204	BEARING METAL	S25C+WJ2	CARBON STEEL & WHITE METAL	1	
203	BEARING METAL	S25C+WJ2	CARBON STEEL & WHITE METAL	4	
201	ANGULAR BALL BEARING	SUJ2	BEARING STEEL	1SET	
170	OIL FLINGER	S45C	CARBON STEEL	1	
153	COLLAR	SS400	MILD STEEL	1	
152	BEARING WASHER	SS400	MILD STEEL	1	
150	BEARING NUT	SS400	MILD STEEL	1	
125	LOCK PLATE	SS400	MILD STEEL	1	
124	IMPELLER WASHER	SS400	MILD STEEL	1	
123	IMPELLER NUT	SS400	MILD STEEL	1	
122	LOCK PLATE	SS400	MILD STEEL	1	
121	IMPELLER WASHER	SS400	MILD STEEL	1	
120	IMPELLER NUT	SS400	MILD STEEL	1	
108	SHAFT SLEEVE	S45CⓈ	CARBON STEEL	2	
107	SHAFT SLEEVE	S45CⓈ	CARBON STEEL	1	
105	KEY	S45C	CARBON STEEL	1	
104	KEY	S45C	CARBON STEEL	1	
103	KEY	S45C	CARBON STEEL	3	
102	KEY	S45C	CARBON STEEL	1	
101	SHAFT	S45CⓈ	CARBON STEEL	1	
051	O-RING	NBR	RUBBER	1	
050	O-RING	NBR	RUBBER	5	
033	IMPELLER RING	S35CⓈ	CARBON STEEL	1	
032	IMPELLER RING	S35CⓈ	CARBON STEEL	1	
031	IMPELLER RING	S35CⓈ	CARBON STEEL	4	
030	IMPELLER RING	S35CⓈ	CARBON STEEL	4	
023	CASING RING	CAC402	BRONZE	1	
022	CASING RING	CAC402	BRONZE	1	
021	CASING RING	CAC402	BRONZE	4	
020	CASING RING	CAC402	BRONZE	4	
016	SUCTION COVER	FCD450	DUCTILE CAST IRON	1	
015	SUCTION COVER	FCD450	DUCTILE CAST IRON	1	
009	DISCHARGE CASING	FCD450	DUCTILE CAST IRON	1	
006	IMPELLER	CAC502A	PHOSPHOR BRONZE	1	
005	IMPELLER	CAC502A	PHOSPHOR BRONZE	2	
004	IMPELLER	CAC502A	PHOSPHOR BRONZE	2	
003	CASING	FCD450	DUCTILE CAST IRON	1	
002	CASING	FCD450	DUCTILE CAST IRON	1	
001	CASING	FCD450	DUCTILE CAST IRON	3	
NO	NAME	JIS SYMBOL	NAME OF MATERIAL	REQ.NO	REMARKS
			MATERIAL	1 PUMP	
TYPE		5DVCW-65D x 80B		APPROVED BY	
NAME		J471-04266/7		CHECKED BY	
		AUX. OIL PUMP		DESIGNED BY	
				DRAWN BY	
DATE	DEC.3.2000	TAIKO WORK NO.	JX-875,877	DRAWING NO.	TLN-11339-1
					RV.

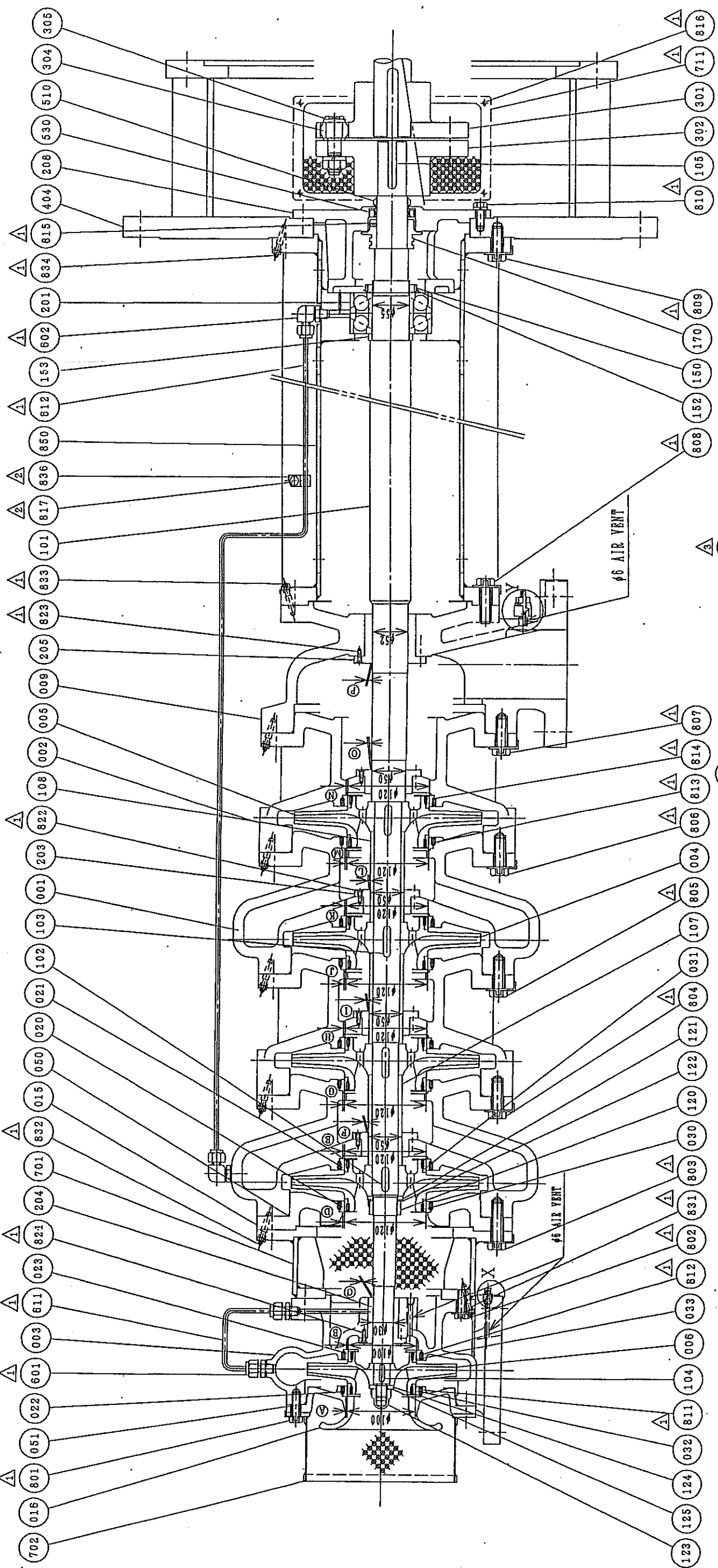
for
04h

850	COLUMN PIPE	SGP+SS400	STEEL GAS PIPE & MILD STEEL	1	
841	AIR VENT PLUG	SS400	MILD STEEL	1	
840	AIR VENT PLUG	FCMB270	CAST IRON	1	
836	LOCK PLATE	SS400	MILD STEEL	1	
834	KNOCK BOLT & NUT	S20C	CARBON STEEL	2	M6 x 50
833	KNOCK BOLT & NUT WASHER	S20C	CARBON STEEL	2	M6 x 50
832	KNOCK BOLT & NUT	S20C	CARBON STEEL	10	M6 x 50
831	KNOCK BOLT & NUT	S20C	CARBON STEEL	2	M6 x 50
823	CROSS RECESSED HEAD SCREW	SUS304	STAINLESS STEEL	2	M5 x 20
822	CROSS RECESSED HEAD SCREW	SUS304	STAINLESS STEEL	8	M5 x 20
821	CROSS RECESSED HEAD SCREW	SUS304	STAINLESS STEEL	2	M5 x 20
817	HEXAGON HEAD BOLT	SUS304	STAINLESS STEEL	1	M6 x 12
816	CROSS RECESSED SCREW	SUS304	STAINLESS STEEL	12	M6 x 12
815	HEXAGON SOCKET SET SCREW	SCM415	Cr-Mo STEEL	2	M5 x 8
814	HEXAGON SOCKET SET SCREW	SCM415	Cr-Mo STEEL	8	M5 x 10
813	HEXAGON SOCKET SET SCREW	SCM415	Cr-Mo STEEL	8	M5 x 10
812	HEXAGON SOCKET SET SCREW	SCM415	Cr-Mo STEEL	2	M5 x 10
811	HEXAGON SOCKET SET SCREW	SCM415	Cr-Mo STEEL	2	M5 x 10
810	HEXAGON HEAD BOLT & SPRING WASHER	SUS304	STAINLESS STEEL	4	M12 x 30
809	HEXAGON HEAD BOLT & LOCK WASHER	SUS304	STAINLESS STEEL	6	M20 x 45
808	HEXAGON HEAD BOLT & LOCK WASHER	SUS304	STAINLESS STEEL	6	M20 x 55
807	HEXAGON HEAD BOLT & LOCK WASHER	SUS304	STAINLESS STEEL	8	M20 x 40
806	HEXAGON HEAD BOLT & LOCK WASHER	SUS304	STAINLESS STEEL	8	M20 x 40
805	HEXAGON HEAD BOLT & LOCK WASHER	SUS304	STAINLESS STEEL	8	M20 x 40
804	HEXAGON HEAD BOLT & LOCK WASHER	SUS304	STAINLESS STEEL	8	M20 x 40
803	HEXAGON HEAD BOLT & LOCK WASHER	SUS304	STAINLESS STEEL	8	M20 x 55
802	HEXAGON HEAD BOLT & LOCK WASHER	SUS304	STAINLESS STEEL	8	M12 x 35
801	HEXAGON HEAD BOLT & LOCK WASHER	SUS304	STAINLESS STEEL	6	M12 x 30
711	COUPLING COVER	SS400	MILD STEEL	2	
702	STRAINER	SS400	MILD STEEL	1	
701	STRAINER	SS400	MILD STEEL	1	
612	OIL FEED TUBE	SUS304TP	STAINLESS STEEL	1	
611	OIL FEED TUBE	SUS304TP	STAINLESS STEEL	1	
602	TUBE CONNECTOR	SUS316	STAINLESS STEEL	2	
601	TUBE CONNECTOR	SUS316	STAINLESS STEEL	2	
530	OIL SEAL	NBR	RUBBER	1	
510	V-RING	NBR	RUBBER	1	
404	PUMP FRAME	SS400	MILD STEEL	1	
NO	NAME	JIS SYMBOL	NAME OF MATERIAL	REQ.NO	REMARKS
TYPE		5DVCW-65D x 80B		1 PUMP	
NAME		J471-04266/7		APPROVED BY <i>oyuzumada</i>	
AUX. OIL PUMP				CHECKED BY	
				DESIGNED BY <i>K. Hanamoto</i>	
				DRAWN BY <i>On. Nishimoto</i>	
DATE	DEC.3.2000	TAIKO WORK NO.	JX-875.877	DRAWING NO.	TLN-11339-2
					RV. 2

2001.1.30 印刷修正. 終
 2001.2.21 印刷修正. 終

7
127

△2001.1.30 並部修正. 校者
 △2001.2.21 並部修正. 校者
 △2001.3.16 並部修正. 校者



耐圧試験 T.P.	6/45 barG	台数 REQ. NO.	740	質量 kg	740
型式 TYPE	5DVCW-65DX80B	承認 APPROVED BY	Yegamada		
名称 NAME	J471-04266/7	検図 CHECKED BY	A. Kunitoku		
	AUX. OIL PUMP	設計 DESIGNED BY	K. Hanamoto		
尺度 SCALE	—	製図 DRAWN BY	A. Kunitoku		
日付 DATE	JAN. 12. 2001	大井工務 TAIKO KIKAI W. NO.	JX-875, 877		
	香 DRAWING NO.	TLS-11339	[3]		

DETAIL OF "X" DETAIL OF "Y"

CLEARANCE TABLE (ON DIA.)

	A	B	C	D	E	F	G	H	I	J	K	L	M	N	O	P
DESIGN	0.30	0.30	0.04	0.30	0.30	0.05	0.30	0.30	0.05	0.30	0.30	0.05	0.30	0.30	0.05	0.10
WORKING	~0.48	~0.48	~0.10	~0.48	~0.48	~0.12	~0.48	~0.48	~0.12	~0.48	~0.48	~0.12	~0.48	~0.48	~0.12	~0.18
LIMIT	1.5	1.5	0.17	1.5	1.5	0.21	1.5	1.5	0.21	1.5	1.5	0.21	1.5	1.5	0.21	0.30


TAIKO KIKAI INDUSTRIES CO., LTD.